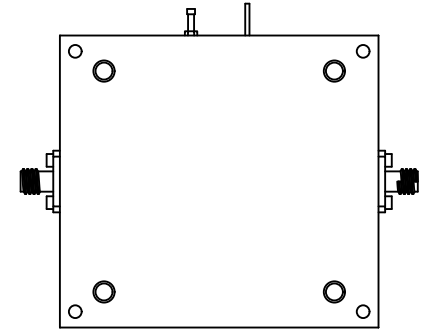
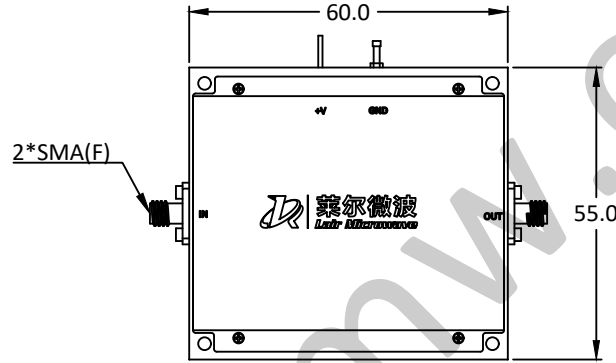
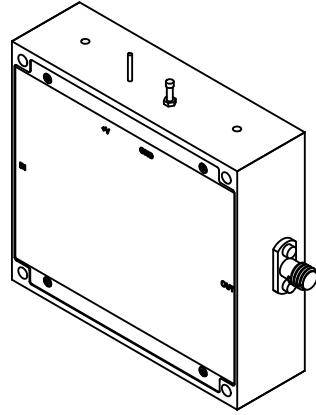


NOTES:UNLESS OTHERWISE SPECIFIED
THIS IS A CAD GENERATED DRAWING,DO NOT REVISE MANUALLY

REVISION HISTORY					
ZONE	REV	DESCRIPTION	E.C.O.NO	DATE	APPROVED
	1	ENGINEERING RELEASE			



LAL-2032

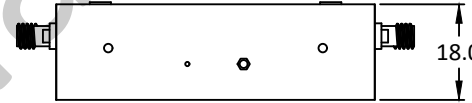
0.1 - 8GHz 低噪声放大器 Low Noise Amplifier

—电气技术参数Electrical Specifications—

频率范围 Frequency Range:	0.1 - 8GHz
增益Gain:	55dB
增益平坦度Gain Flatness:	±2.5dB
噪声系数 Noise Figure:	2.0dB
输出 P_{1dB} Output P_{1dB} :	30dBm
输入驻波比Input VSWR:	12dB
输出驻波比Output VSWR:	12dB
直流偏置电压DC Supply Voltage:	+24V
直流偏置电流DC Supply Current:	300mA
工作温度Operation Temperature:	-40 ~ +60°C
存储温度Storage Temperature:	-65 ~ +125°C

—机械技术参数Mechanical Specification—

输入连接器Input Interface:	SMA-F
输出连接器Output Interface:	SMA-F
尺寸Size(excluding connectors):	60mm*55mm*18mm
重量Weight:	100g



UNLESS OTHERWISE SPECIFIED DIMENSIONS ARE MILLIMETER TOLERANCES ARE: DECIMALS ANGLES FRACTIONS .X±0.1 ±1' ±2/5 .XX±0.03 .XXX±0.012					P/N: LAL-2032	
	Approvals	DATE	www.lairmw.com sales@lairmw.com			
HOLE DIAMETER .35 TO 3.20 3.21 TO 6.35 6.36 TO 12.70 12.71 TO 19.05 19.06 TO 25.40 25.41 TO 50.80	TOLERANCES +.05/-02 +.10/-03 +.15/-03 +.20/-03 +.25/-03 +.30/-03	DRWN	0.1-8GHz 低噪声放大器 Low Noise Amplifier 增益 Gain 55dB, 噪声系数 NF 2.0dB			
		ENG	SIZE	CAGE NO	DWG NO.	REV
		CHK	A3			1
		Q.A.	SCALE	UNIT	SHEET 1 OF 1	
			3:2	mm		