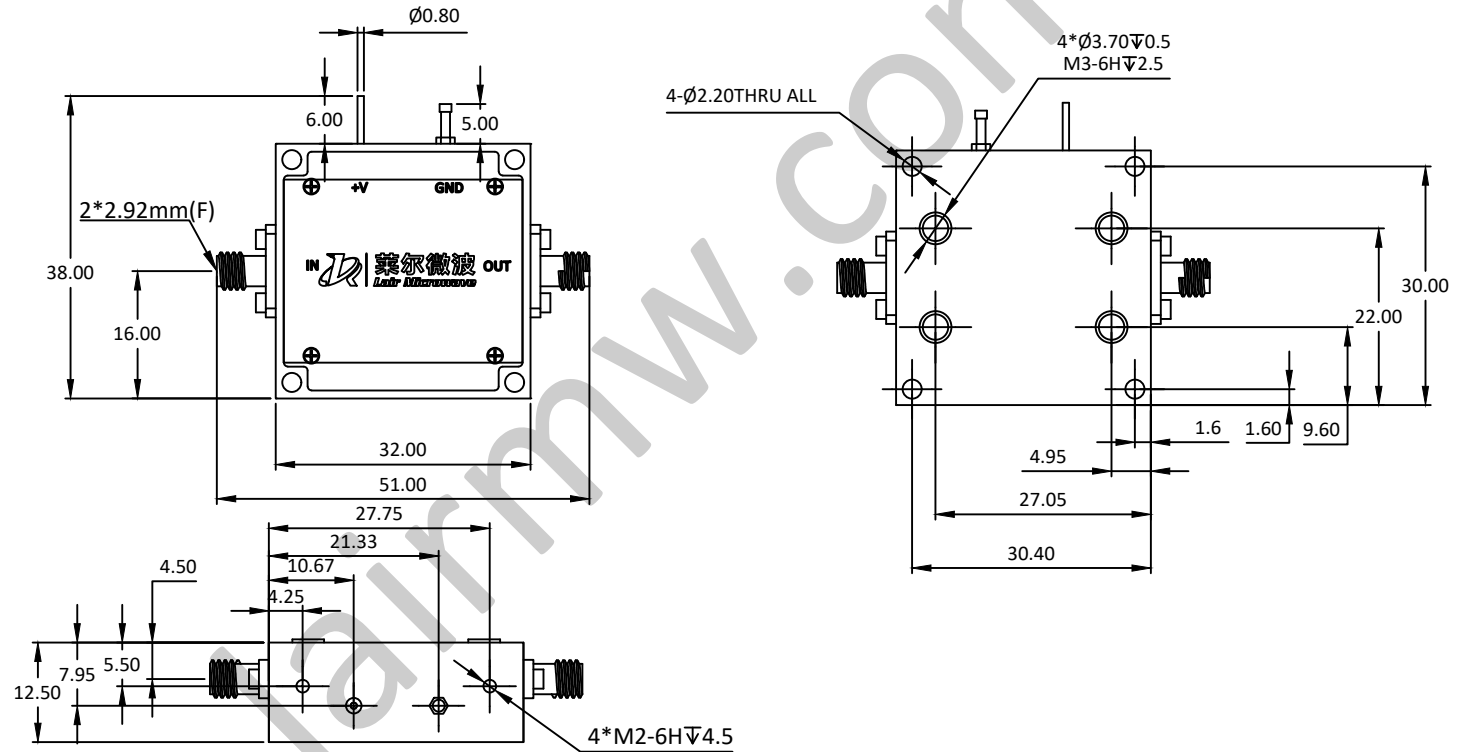
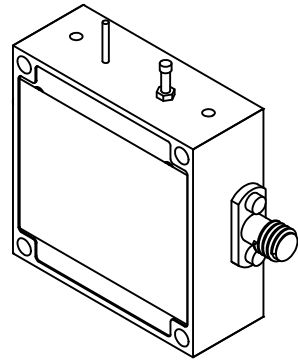


NOTES: UNLESS OTHERWISE SPECIFIED
THIS IS A CAD GENERATED DRAWING, DO NOT REVISE MANUALLY

REVISION HISTORY					
ZONE	REV	DESCRIPTION	E.C.O.NO	DATE	APPROVED
	1	ENGINEERING RELEASE			



LAL-2031

18 - 40GHz 低噪声放大器 Low Noise Amplifier

—电气技术参数 Electrical Specifications—

频率范围 Frequency Range:	10 - 40GHz
增益 Gain:	58dB
增益平坦度 Gain Flatness:	±1.5dB
噪声系数 Noise Figure:	3.5dB
输出 P _{1dB} Output P _{1dB} :	21dBm
输入驻波比 Input VSWR:	18dB
输出驻波比 Output VSWR:	14dB
直流偏置电压 DC Supply Voltage:	+6 ~ +15V
直流偏置电流 DC Supply Current:	250mA
工作温度 Operation Temperature:	-40 ~ +60°C
存储温度 Storage Temperature:	-65 ~ +125°C

—机械技术参数 Mechanical Specification—

输入连接器 Input Interface:	2.92mm-F
输出连接器 Output Interface:	2.92mm-F
尺寸 Size (excluding connectors):	32mm*32mm*12mm
重量 Weight:	27g

UNLESS OTHERWISE SPECIFIED DIMENSIONS ARE MILLIMETER TOLERANCES ARE: DECIMALS ANGLES FRACTIONS .XX±0.03 ±1' ±2/5 .XXX±0.012						P/N: LAL-2031	
		Approvals		DATE		18-40GHz 低噪声放大器 Low Noise Amplifier 增益 Gain 58dB, 噪声系数 NF 3.5dB	
HOLE DIAMETER .35 TO 3.20 3.21 TO 6.35 6.36 TO 12.70 12.71 TO 19.05 19.06 TO 25.40 25.41 TO 50.80		TOLERANCES +05/-02 +10/-03 +15/-03 +20/-03 +25/-03 +30/-03		DRWN		SIZE A3	
		ENG		CHK		CAGE NO	
		Q.A.				DWG NO.	
						REV 1	
				SCALE 3:2		UNIT mm	
						SHEET 1 OF 1	