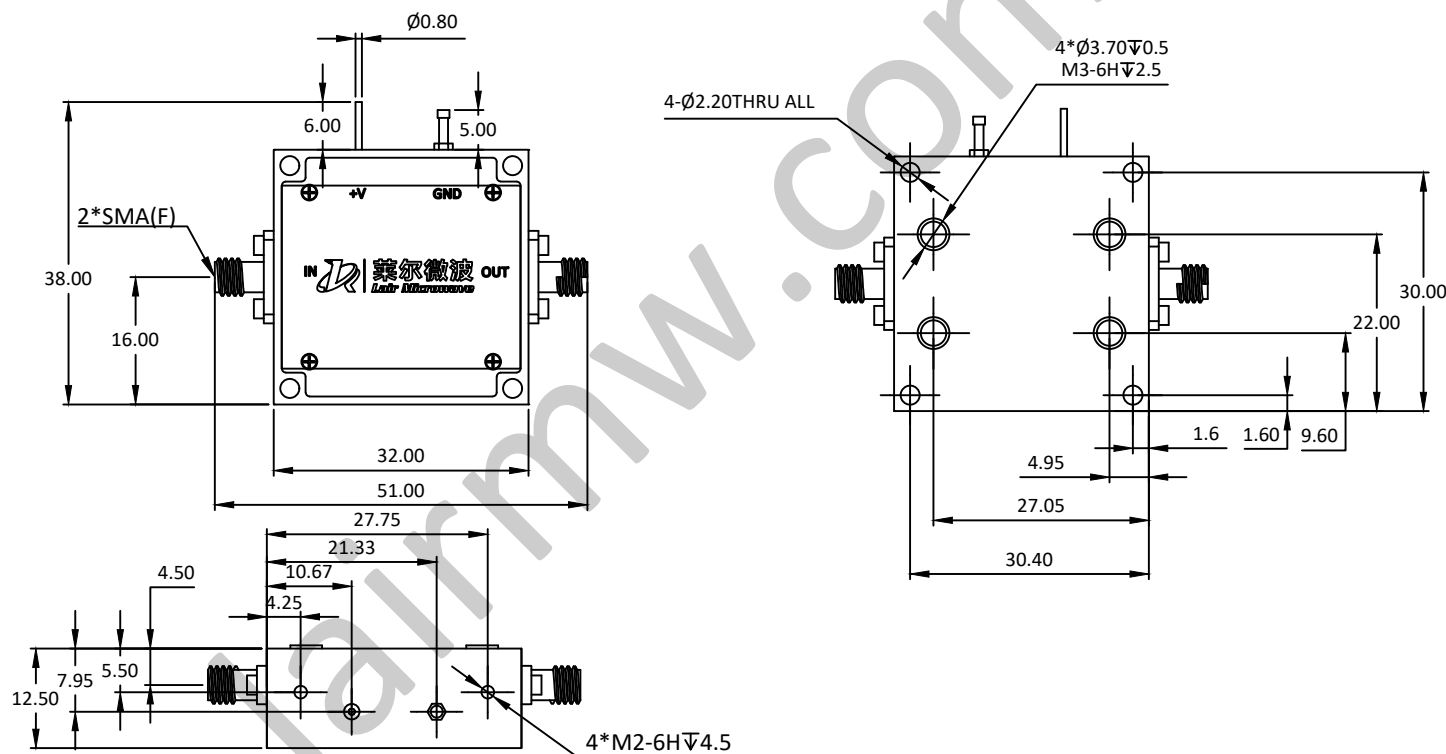
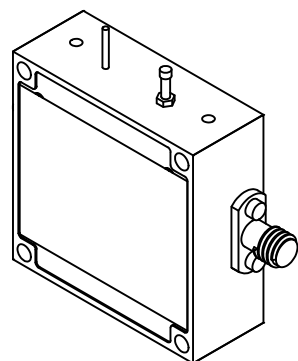


NOTES: UNLESS OTHERWISE SPECIFIED
THIS IS A CAD GENERATED DRAWING, DO NOT REVISE MANUALLY

REVISION HISTORY					
ZONE	REV	DESCRIPTION	E.C.O.NO	DATE	APPROVED
	1	ENGINEERING RELEASE			



LAL-2026

12 - 18GHz 低噪声放大器 Low Noise Amplifier

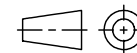
—电气技术参数 Electrical Specifications—

范围 Frequency Range:	12 - 18GHz
增益 Gain:	34dB
增益平坦度 Gain Flatness:	±1.0dB
噪声系数 Noise Figure:	1.5dB
输出 P _{1dB} Output P _{1dB} :	14dBm
输入驻波比 Input VSWR:	13dB
输出驻波比 Output VSWR:	13dB
直流偏置电压 DC Supply Voltage:	+6 ~ +15V
直流偏置电流 DC Supply Current:	125mA
工作温度 Operation Temperature:	-40 ~ +60°C
存储温度 Storage Temperature:	-65 ~ +125°C

—机械技术参数 Mechanical Specification—

输入连接器 Input Interface:	SMA-F
输出连接器 Output Interface:	SMA-F
尺寸 Size (excluding connectors):	32mm*32mm*12mm
重量 Weight:	27g

UNLESS OTHERWISE SPECIFIED
DIMENSIONS ARE MILLIMETER
TOLERANCES ARE:
DECIMALS ANGLES FRACTIONS
.XX±0.03 ±1° ±2/5
.XXX±0.012



Approvals

DATE

DRWN

ENG

CHK

Q.A.



www.lairmw.com sales@lairmw.com

P/N: LAL-2026

12-18GHz 低噪声放大器 Low Noise Amplifier
增益 Gain 34dB, 噪声系数 NF 1.5dB

SIZE
A3

CAGE NO

DWG NO.

REV
1

SCALE
3:2

UNIT
mm

SHEET 1 OF 1

HOLE DIAMETER
.35 TO 3.20
3.21 TO 6.35
6.36 TO 12.70
12.71 TO 19.05
19.06 TO 25.40
25.41 TO 50.80

TOLERANCES
+05/-02
+10/-03
+15/-03
+20/-03
+25/-03
+30/-03