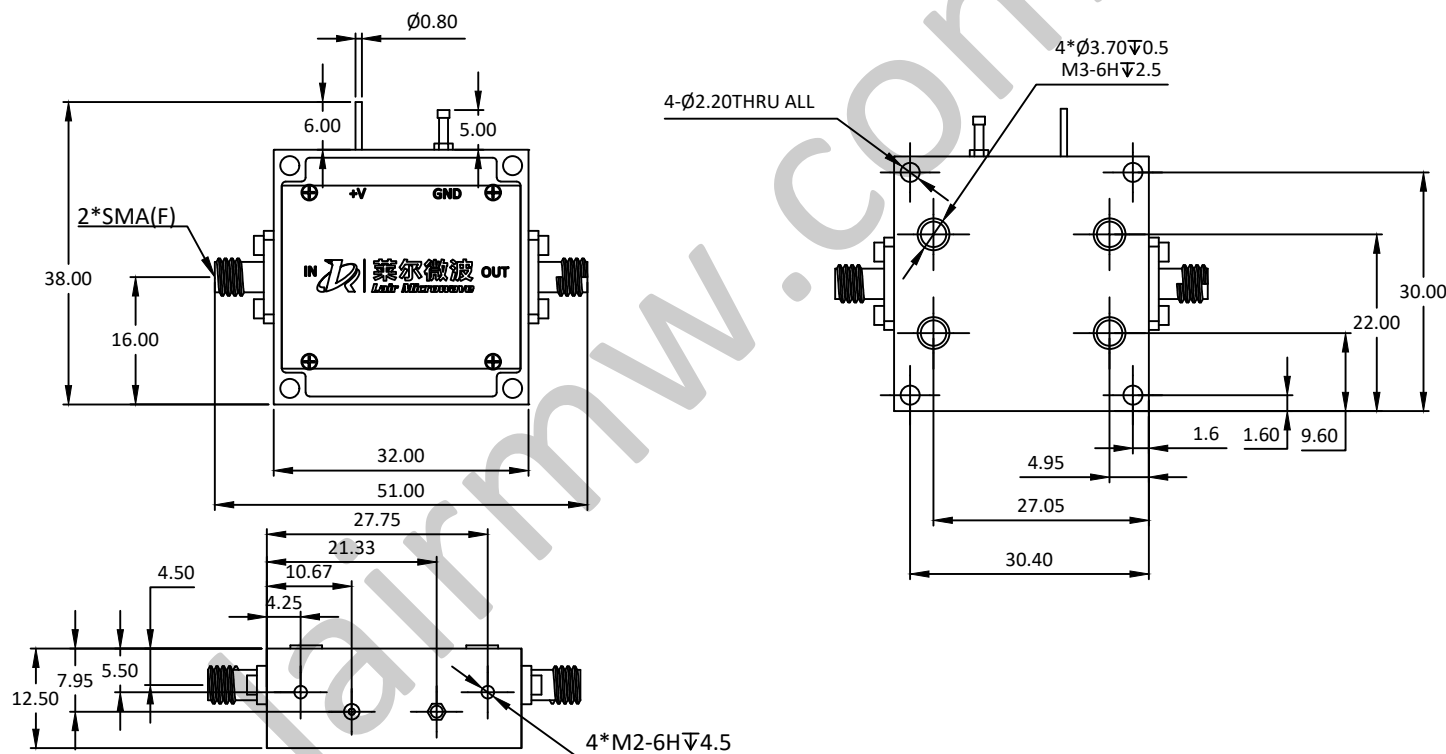
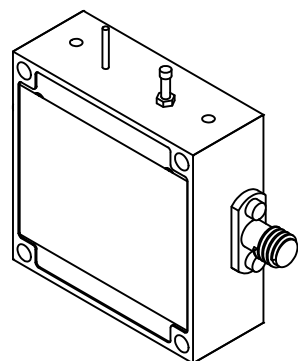


NOTES: UNLESS OTHERWISE SPECIFIED
THIS IS A CAD GENERATED DRAWING, DO NOT REVISE MANUALLY

REVISION HISTORY					
ZONE	REV	DESCRIPTION	E.C.O.NO	DATE	APPROVED
	1	ENGINEERING RELEASE			



LAL-2023

0.5 - 8GHz 低噪声放大器 Low Noise Amplifier

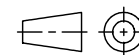
—电气技术参数 Electrical Specifications—

频率范围 Frequency Range:	0.5 - 8GHz
增益 Gain:	35dB
增益平坦度 Gain Flatness:	±2.0dB
噪声系数 Noise Figure:	2.0dB
输出 P_{1dB} Output P_{1dB} :	15dBm
输入驻波比 Input VSWR:	14dB
输出驻波比 Output VSWR:	13dB
直流偏置电压 DC Supply Voltage:	+6 ~ +15V
直流偏置电流 DC Supply Current:	120mA
工作温度 Operation Temperature:	-40 ~ +60°C
存储温度 Storage Temperature:	-65 ~ +125°C

—机械技术参数 Mechanical Specification—

输入连接器 Input Interface:	SMA-F
输出连接器 Output Interface:	SMA-F
尺寸 Size (excluding connectors):	32mm*32mm*12mm
重量 Weight:	27g

UNLESS OTHERWISE SPECIFIED
DIMENSIONS ARE MILLIMETER
TOLERANCES ARE:
DECIMALS ANGLES FRACTIONS
.XX±0.03 ±1° ±2/5
.XXX±0.012



Approvals	DATE
DRWN	
ENG	
CHK	
Q.A.	



www.lairmw.com sales@lairmw.com

P/N: LAL-2023

0.5-8GHz 低噪声放大器 Low Noise Amplifier
增益 Gain 35dB, 噪声系数 NF 2.0dB

SIZE	CAGE NO	DWG NO.	REV
A3			1
SCALE	UNIT	SHEET 1 OF 1	
3:2	mm		