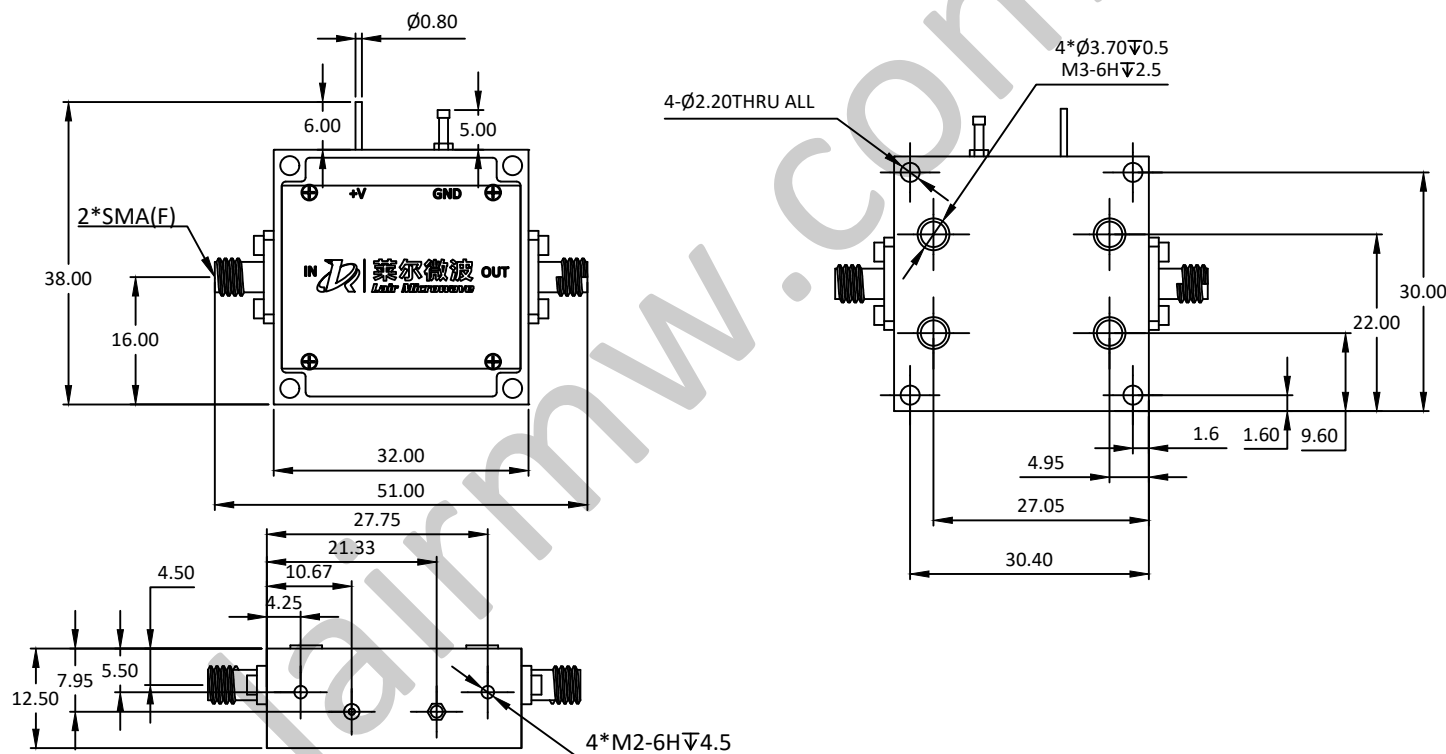
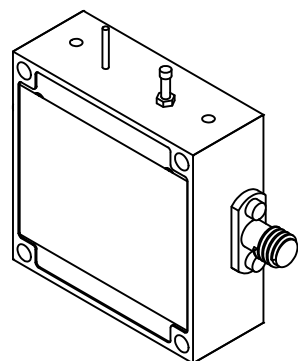


NOTES: UNLESS OTHERWISE SPECIFIED  
THIS IS A CAD GENERATED DRAWING, DO NOT REVISE MANUALLY

REVISION HISTORY					
ZONE	REV	DESCRIPTION	E.C.O.NO	DATE	APPROVED
	1	ENGINEERING RELEASE			



## LAL-2022

2 - 8GHz 低噪声放大器 Low Noise Amplifier

—电气技术参数 Electrical Specifications—

频率范围 Frequency Range:

2 - 8GHz

增益 Gain:

33dB

增益平坦度 Gain Flatness:

±1.0dB

噪声系数 Noise Figure:

2.0dB

输出 $P_{1dB}$  Output  $P_{1dB}$ :

15dBm

输入驻波比 Input VSWR:

14dB

输出驻波比 Output VSWR:

14dB

直流偏置电压 DC Supply Voltage:

+5 ~ +15V

直流偏置电流 DC Supply Current:

100mA

工作温度 Operation Temperature:

-40 ~ +60°C

存储温度 Storage Temperature:

-65 ~ +125°C

—机械技术参数 Mechanical Specification—

输入连接器 Input Interface:

SMA-F

输出连接器 Output Interface:

SMA-F

尺寸 Size (excluding connectors):

32mm\*32mm\*12mm

重量 Weight:

27g

UNLESS OTHERWISE SPECIFIED DIMENSIONS ARE MILLIMETER TOLERANCES ARE: DECIMALS ANGLES FRACTIONS .XX±0.03 ±1' ±2/5 .XXX±0.012						 www.lairmw.com sales@lairmw.com		P/N: LAL-2022	
HOLE DIAMETER .35 TO 3.20 3.21 TO 6.35 6.36 TO 12.70 12.71 TO 19.05 19.06 TO 25.40 25.41 TO 50.80		TOLERANCES +05/-02 +10/-03 +15/-03 +20/-03 +25/-03 +30/-03		Approvals DRWN ENG CHK Q.A.		DATE 2-8GHz 低噪声放大器 Low Noise Amplifier 增益 Gain 33dB, 噪声系数 NF 2.0dB		SIZE A3 SCALE 3:2 CAGE NO UNIT mm DWG NO. SHEET 1 OF 1 REV 1	