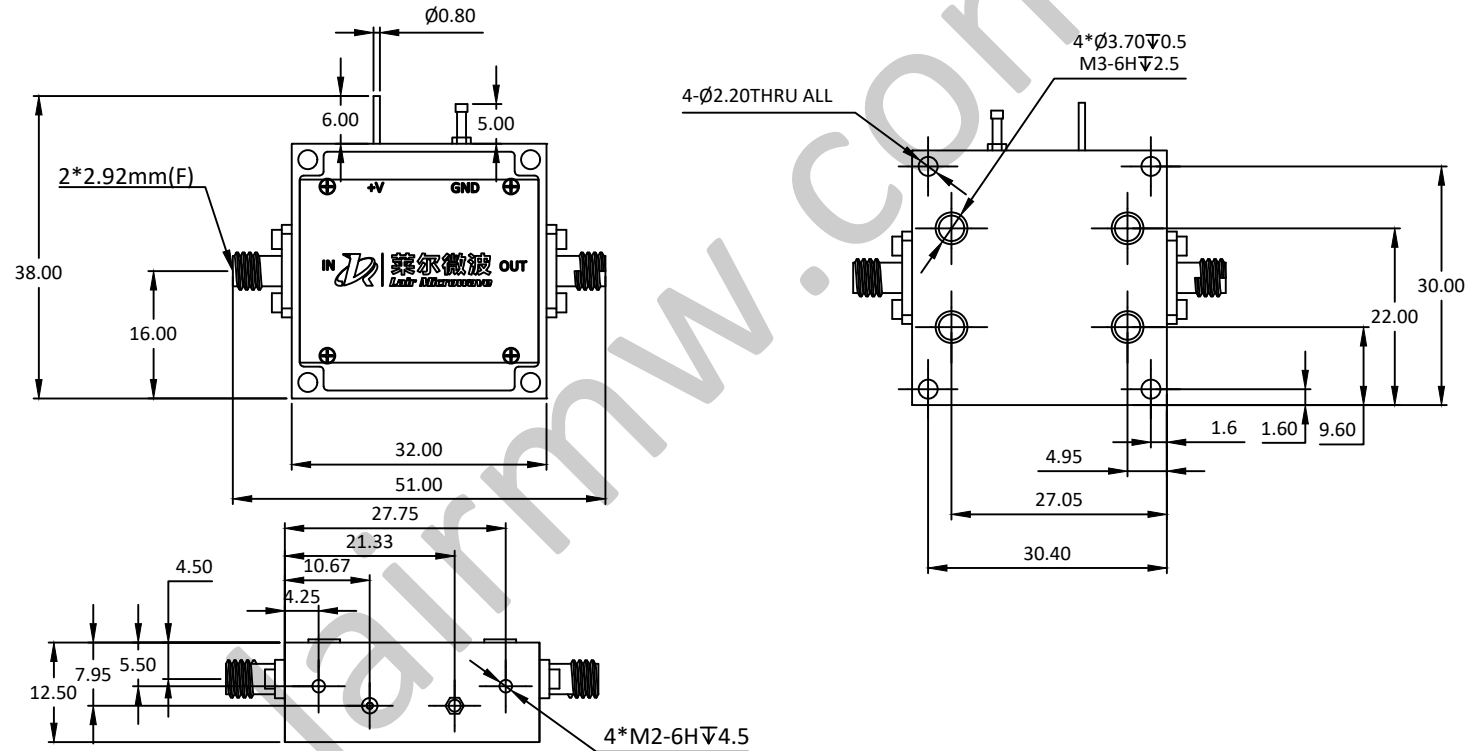
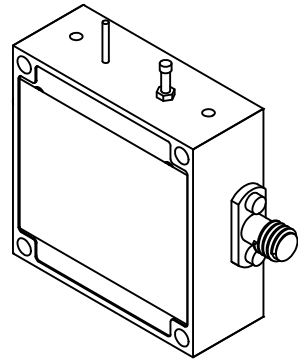


NOTES: UNLESS OTHERWISE SPECIFIED  
THIS IS A CAD GENERATED DRAWING, DO NOT REVISE MANUALLY

REVISION HISTORY					
ZONE	REV	DESCRIPTION	E.C.O.NO	DATE	APPROVED
	1	ENGINEERING RELEASE			



## LAL-2018

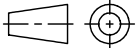

26 - 38GHz 低噪声放大器 Low Noise Amplifier

### —电气技术参数 Electrical Specifications—

频率范围 Frequency Range:	26 - 38GHz
增益 Gain:	26dB
增益平坦度 Gain Flatness:	±1.2dB
噪声系数 Noise Figure:	2.0dB
输出 P <sub>1dB</sub> Output P <sub>1dB</sub> :	5dBm
输入驻波比 Input VSWR:	11dB
输出驻波比 Output VSWR:	18dB
直流偏置电压 DC Supply Voltage:	+5 ~ +15V
直流偏置电流 DC Supply Current:	10mA
工作温度 Operation Temperature:	-40 ~ +60°C
存储温度 Storage Temperature:	-65 ~ +125°C

### —机械技术参数 Mechanical Specification—

输入连接器 Input Interface:	2.92mm-F
输出连接器 Output Interface:	2.92mm-F
尺寸 Size (excluding connectors):	32mm*32mm*12mm
重量 Weight:	27g

UNLESS OTHERWISE SPECIFIED DIMENSIONS ARE MILLIMETER TOLERANCES ARE: DECIMALS ANGLES FRACTIONS .XX±0.03 ±1' ±2/5 .XXX±0.012		 Approvals DATE		 www.lairmw.com sales@lairmw.com		P/N: LAL-2018	
HOLE DIAMETER .35 TO 3.20 3.21 TO 6.35 6.36 TO 12.70 12.71 TO 19.05 19.06 TO 25.40 25.41 TO 50.80		TOLERANCES +.05/-0.2 +.10/-0.3 +.15/-0.3 +.20/-0.3 +.25/-0.3 +.30/-0.3		DRWN ENG CHK Q.A.		26-38GHz 低噪声放大器 Low Noise Amplifier 增益 Gain 26dB, 噪声系数 NF 2.0dB	
SIZE A3		CAGE NO		DWG NO.		REV 1	
SCALE 3:2		UNIT mm		SHEET 1 OF 1			