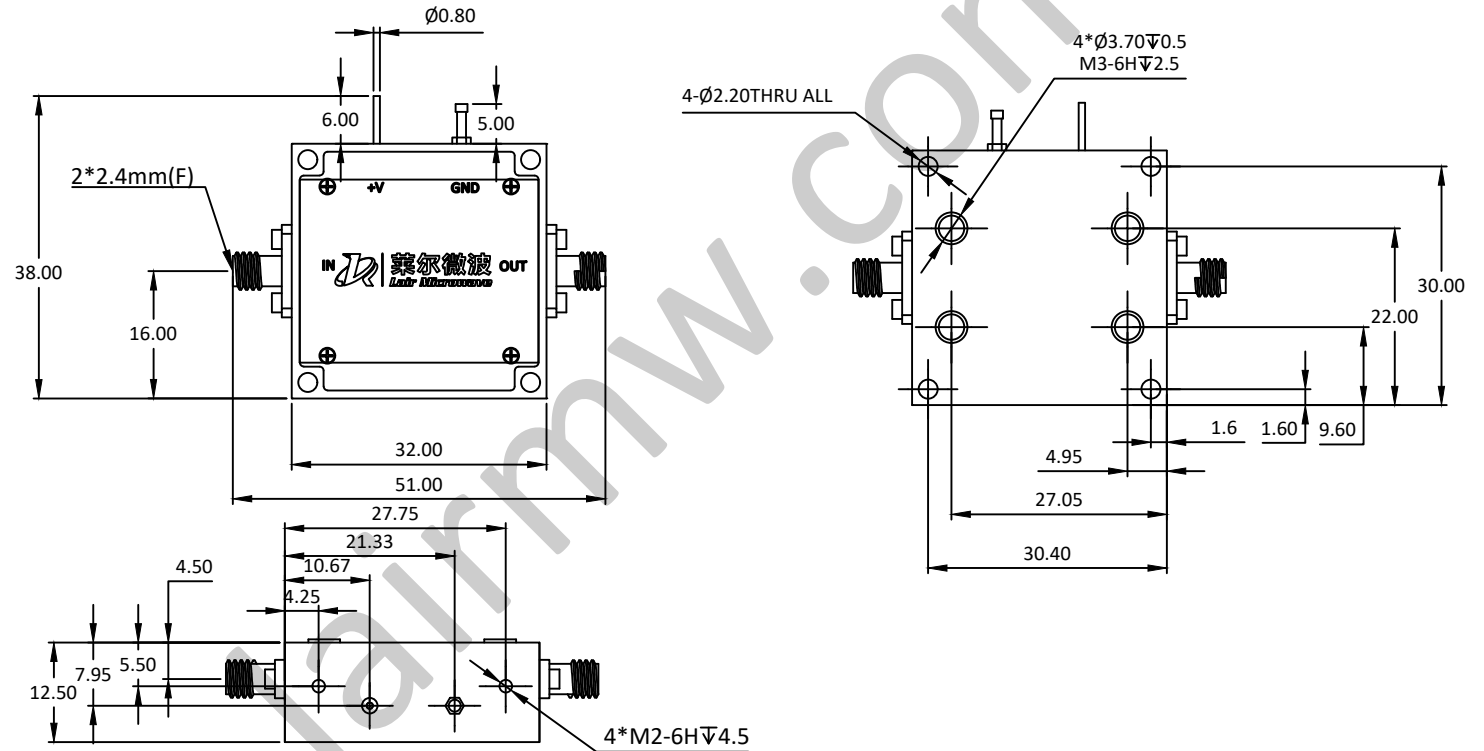
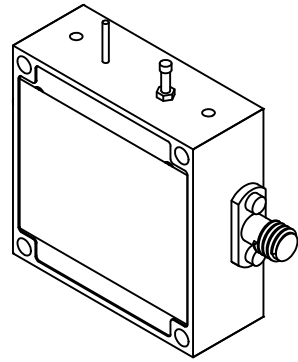


NOTES: UNLESS OTHERWISE SPECIFIED
THIS IS A CAD GENERATED DRAWING, DO NOT REVISE MANUALLY

REVISION HISTORY					
ZONE	REV	DESCRIPTION	E.C.O.NO	DATE	APPROVED
	1	ENGINEERING RELEASE			



LAL-2016

20 - 44GHz 低噪声放大器 Low Noise Amplifier

—电气技术参数 Electrical Specifications—

频率范围 Frequency Range:	20 - 44GHz
增益 Gain:	21dB
增益平坦度 Gain Flatness:	±1.0dB
噪声系数 Noise Figure:	3.8dB
输出 P _{1dB} Output P _{1dB} :	13dBm
输入驻波比 Input VSWR:	12dB
输出驻波比 Output VSWR:	13dB
直流偏置电压 DC Supply Voltage:	+6 ~ +15V
直流偏置电流 DC Supply Current:	75mA
工作温度 Operation Temperature:	-40 ~ +60°C
存储温度 Storage Temperature:	-65 ~ +125°C

—机械技术参数 Mechanical Specification—

输入连接器 Input Interface:	2.4mm-F
输出连接器 Output Interface:	2.4mm-F
尺寸 Size (excluding connectors):	32mm*32mm*12mm
重量 Weight:	27g

UNLESS OTHERWISE SPECIFIED DIMENSIONS ARE MILLIMETER TOLERANCES ARE: DECIMALS ANGLES FRACTIONS .XX±0.03 ±1' ±2/5 .XXX±0.012			P/N: LAL-2016											
			www.lairmw.com sales@lairmw.com											
<table border="1"> <tr> <td>Approvals</td> <td>DATE</td> </tr> <tr> <td>DRWN</td> <td></td> </tr> <tr> <td>ENG</td> <td></td> </tr> <tr> <td>CHK</td> <td></td> </tr> <tr> <td>Q.A.</td> <td></td> </tr> </table>	Approvals	DATE	DRWN		ENG		CHK		Q.A.		20-44GHz 低噪声放大器 Low Noise Amplifier 增益 Gain 21dB, 噪声系数 NF 3.8dB			REV 1
	Approvals	DATE												
DRWN														
ENG														
CHK														
Q.A.														
<table border="1"> <tr> <td>HOLE DIAMETER .35 TO 3.20 3.21 TO 6.35 6.36 TO 12.70 12.71 TO 19.05 19.06 TO 25.40 25.41 TO 50.80</td> <td>TOLERANCES +05/-02 +10/-03 +15/-03 +20/-03 +25/-03 +30/-03</td> </tr> </table>	HOLE DIAMETER .35 TO 3.20 3.21 TO 6.35 6.36 TO 12.70 12.71 TO 19.05 19.06 TO 25.40 25.41 TO 50.80	TOLERANCES +05/-02 +10/-03 +15/-03 +20/-03 +25/-03 +30/-03	SIZE A3	CAGE NO	DWG NO.	SHEET 1 OF 1								
HOLE DIAMETER .35 TO 3.20 3.21 TO 6.35 6.36 TO 12.70 12.71 TO 19.05 19.06 TO 25.40 25.41 TO 50.80	TOLERANCES +05/-02 +10/-03 +15/-03 +20/-03 +25/-03 +30/-03													
SCALE 3:2		UNIT mm												