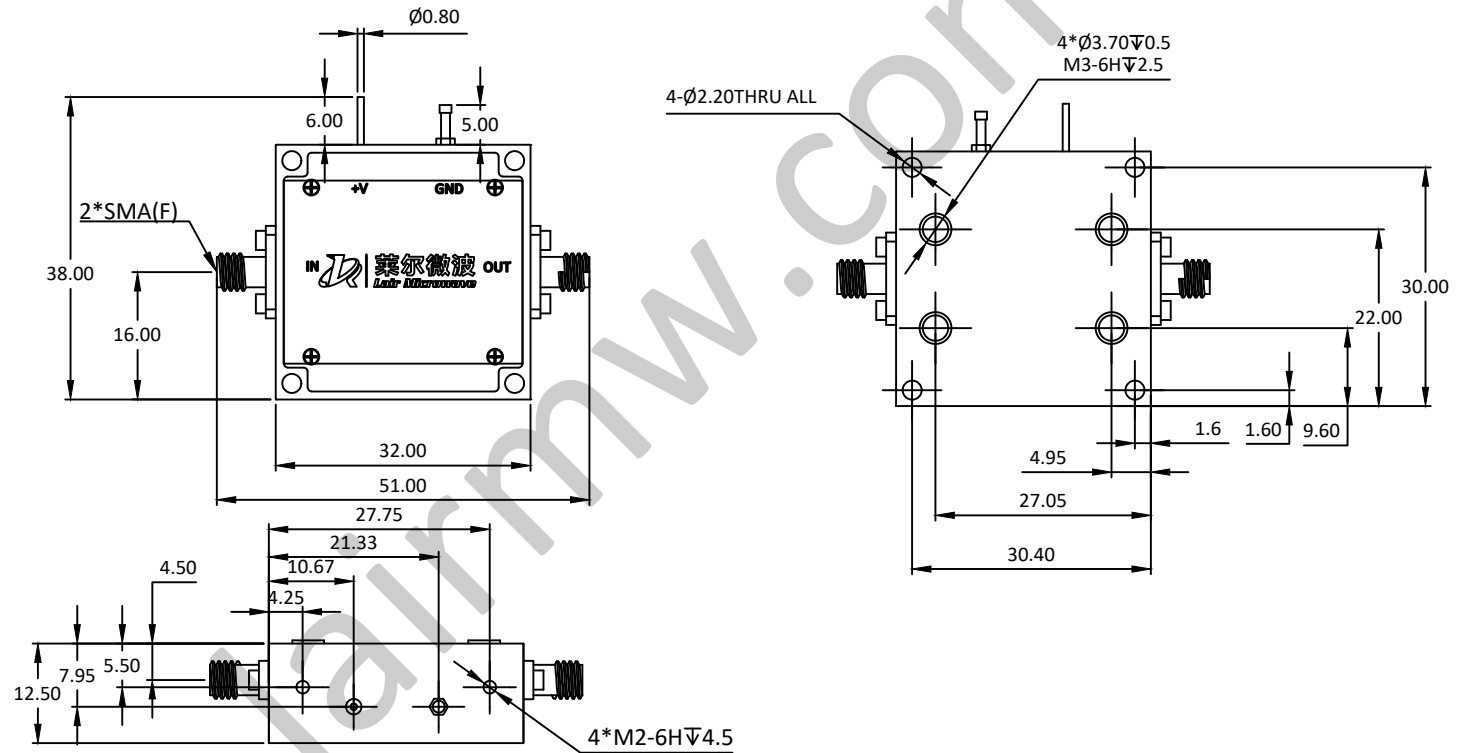
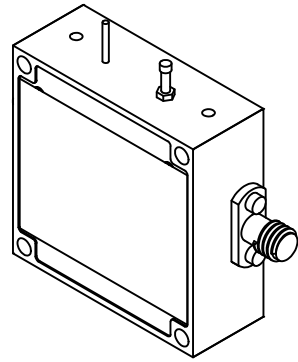


NOTES: UNLESS OTHERWISE SPECIFIED
THIS IS A CAD GENERATED DRAWING, DO NOT REVISE MANUALLY

REVISION HISTORY					
ZONE	REV	DESCRIPTION	E.C.O.NO	DATE	APPROVED
	1	ENGINEERING RELEASE			



LAL-2009

6 - 18GHz 低噪声放大器 Low Noise Amplifier

—电气技术参数 Electrical Specifications—

频率范围 Frequency Range:

6 - 18GHz

增益 Gain:

19dB

增益平坦度 Gain Flatness:

±1.2dB

噪声系数 Noise Figure:

1.5dB

输出 P_{1dB} Output P_{1dB} :

15dBm

输入驻波比 Input VSWR:

10dB

输出驻波比 Output VSWR:

12dB

直流偏置电压 DC Supply Voltage:

+5 ~ +15V

直流偏置电流 DC Supply Current:

70mA

工作温度 Operation Temperature:

-40 ~ +60°C

存储温度 Storage Temperature:

-65 ~ +125°C

—机械技术参数 Mechanical Specification—

输入连接器 Input Interface:

SMA-F

输出连接器 Output Interface:

SMA-F

尺寸 Size (excluding connectors):

32mm*32mm*12mm

重量 Weight:

27g

UNLESS OTHERWISE SPECIFIED DIMENSIONS ARE MILLIMETER TOLERANCES ARE: DECIMALS ANGLES FRACTIONS .XX±0.03 ±1' ±2/5 .XXX±0.012			www.lairmw.com sales@lairmw.com		P/N: LAL-2009														
			Approvals	DATE															
<table border="1"> <thead> <tr> <th>HOLE DIAMETER</th> <th>TOLERANCES</th> </tr> </thead> <tbody> <tr> <td>.35 TO 3.20</td> <td>+05/-02</td> </tr> <tr> <td>3.21 TO 6.35</td> <td>+10/-03</td> </tr> <tr> <td>6.36 TO 12.70</td> <td>+15/-03</td> </tr> <tr> <td>12.71 TO 19.05</td> <td>+20/-03</td> </tr> <tr> <td>19.06 TO 25.40</td> <td>+25/-03</td> </tr> <tr> <td>25.41 TO 50.80</td> <td>+30/-03</td> </tr> </tbody> </table>	HOLE DIAMETER	TOLERANCES	.35 TO 3.20	+05/-02	3.21 TO 6.35	+10/-03	6.36 TO 12.70	+15/-03	12.71 TO 19.05	+20/-03	19.06 TO 25.40	+25/-03	25.41 TO 50.80	+30/-03	DRWN		6-18GHz 低噪声放大器 Low Noise Amplifier 增益 Gain 19dB, 噪声系数 NF 1.5dB		
	HOLE DIAMETER	TOLERANCES																	
	.35 TO 3.20	+05/-02																	
	3.21 TO 6.35	+10/-03																	
6.36 TO 12.70	+15/-03																		
12.71 TO 19.05	+20/-03																		
19.06 TO 25.40	+25/-03																		
25.41 TO 50.80	+30/-03																		
ENG																			
CHK		SIZE	A3	CAGE NO		DWG NO.		REV	1										
Q.A.		SCALE	3:2	UNIT	mm	SHEET 1 OF 1													