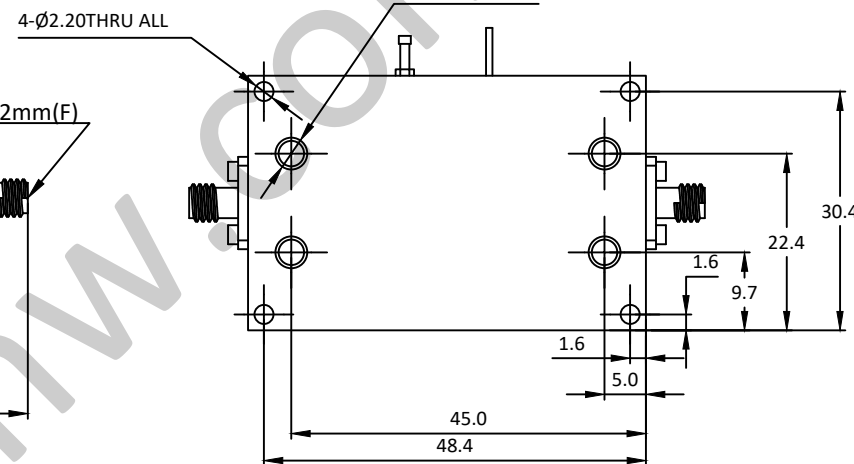
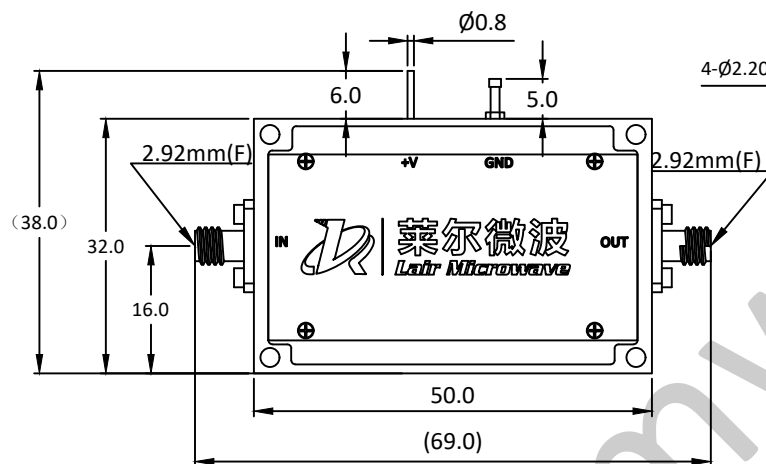
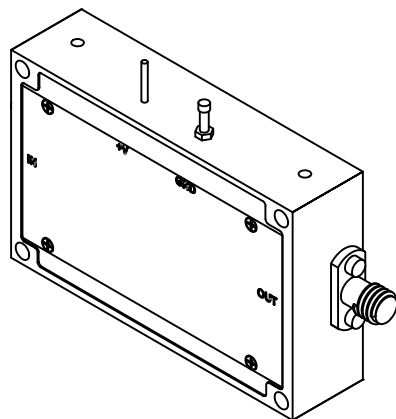


NOTES: UNLESS OTHERWISE SPECIFIED
THIS IS A CAD GENERATED DRAWING, DO NOT REVISE MANUALLY

REVISION HISTORY					
ZONE	REV	DESCRIPTION	E.C.O.NO	DATE	APPROVED
	1	ENGINEERING RELEASE			

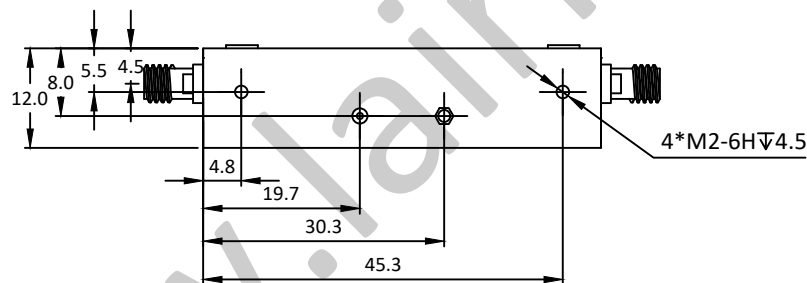


LAL-2005

1 - 40GHz 低噪声放大器 Low Noise Amplifier

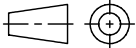


—电气技术参数 Electrical Specifications—

频率范围 Frequency Range: 1 - 40GHz
增益 Gain: 40dB
增益平坦度 Gain Flatness: ±2.5dB
噪声系数 Noise Figure: 6.0dB
输出 P_{1dB} Output P_{1dB}: 13dBm
输入驻波比 Input VSWR: 12dB
输出驻波比 Output VSWR: 10dB
直流偏置电压 DC Supply Voltage: +8 ~ +15V
直流偏置电流 DC Supply Current: 650mA
工作温度 Operation Temperature: -40 ~ +60°C
存储温度 Storage Temperature: -65 ~ +125°C



—机械技术参数 Mechanical Specification—

输入连接器 Input Interface: 2.92mm-F
输出连接器 Output Interface: 2.92mm-F
尺寸 Size (excluding connectors): 50mm*32mm*12mm
重量 Weight: 40g

UNLESS OTHERWISE SPECIFIED DIMENSIONS ARE MILLIMETER TOLERANCES ARE: DECIMALS ANGLES FRACTIONS .X±0.1 ±1' ±2/5 .XX±0.03 .XXX±0.012		 		 www.lairmw.com sales@lairmw.com		P/N: LAL-2005	
						Approvals DATE DRWN ENG CHK Q.A.	
HOLE DIAMETER .35 TO 3.20 3.21 TO 6.35 6.36 TO 12.70 12.71 TO 19.05 19.06 TO 25.40 25.41 TO 50.80		TOLERANCES +.05/-0.2 +.10/-0.3 +.15/-0.3 +.20/-0.3 +.25/-0.3 +.30/-0.3		SIZE	CAGE NO	DWG NO.	REV
				A3			1
				SCALE	UNIT	SHEET 1 OF 1	
				3:2	mm		