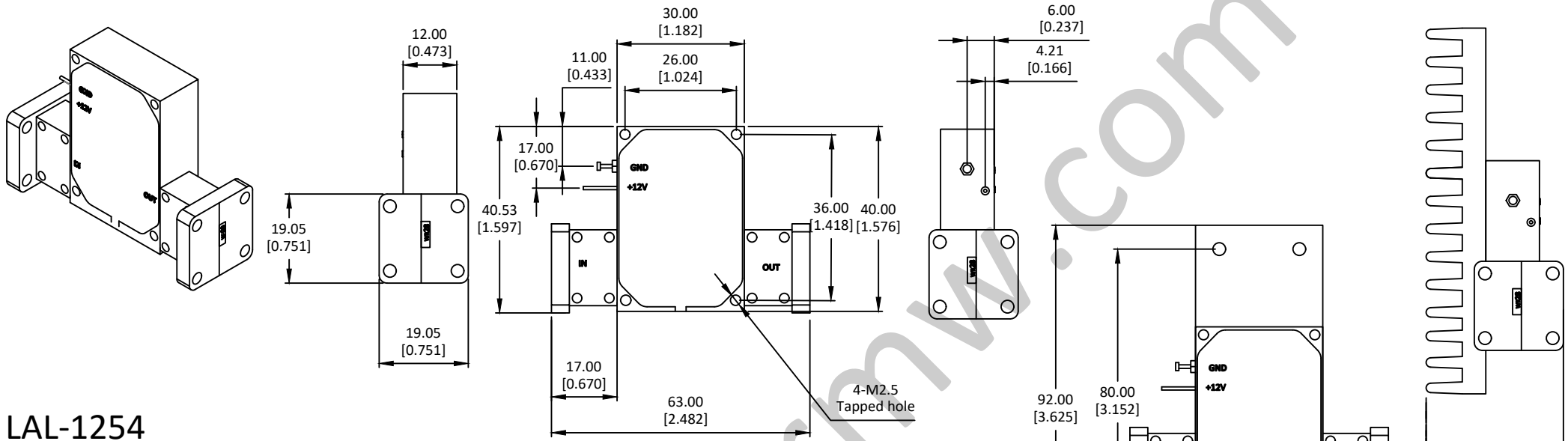


NOTES: UNLESS OTHERWISE SPECIFIED
THIS IS A CAD GENERATED DRAWING, DO NOT REVISE MANUALLY

REVISION HISTORY					
ZONE	REV	DESCRIPTION	E.C.O.NO	DATE	APPROVED
	1	ENGINEERING RELEASE			



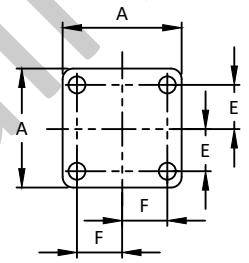
LAL-1254

27~40GHz 低噪声放大器 Low Noise Amplifier

—电气技术参数 Electrical Specifications—

频率范围 Frequency Range:	27 - 40GHz
增益 Gain:	35dB
增益平坦度 Gain Flatness:	/
噪声系数 Noise Figure:	3.0dB
输出 P _{1dB} Output P _{1dB} :	10dBm
输入驻波比 Input VSWR:	2.0:1
输出驻波比 Output VSWR:	2.0 : 1
直流偏置电压 DC Supply Voltage:	+12V
直流偏置电流 DC Supply Current:	110mA
工作温度 Operation Temperature:	-40~+85°C
存储温度 Storage Temperature:	-50~+105°C

	WR28	WG22	R320
UG599/U			
Dimensions	inches	mm	
A	0.75	19.05	
E	0.265	6.73	
F	0.250	6.35	
Hole Dia.	0.116	2.98	



—机械技术参数 Mechanical Specification—

输入连接器 Input Interface:	WR28
输出连接器 Output Interface:	WR28
尺寸 Size(excluding connectors):	/
重量 Weight:	/

UNLESS OTHERWISE SPECIFIED DIMENSIONS ARE MILLIMETER TOLERANCES ARE: DECIMALS ANGLES FRACTIONS .XX±0.03 ±1' ±2/5 .XXX±0.012				P/N: LAL-1254															
		www.lairmw.com sales@lairmw.com																	
<table border="1"> <tr> <td>Approvals</td> <td>DATE</td> </tr> <tr> <td>DRWN</td> <td></td> </tr> <tr> <td>ENG</td> <td></td> </tr> <tr> <td>CHK</td> <td></td> </tr> <tr> <td>Q.A.</td> <td></td> </tr> </table>		Approvals	DATE	DRWN		ENG		CHK		Q.A.		27-40GHz 低噪声放大器 Low Noise Amplifier 增益 Gain 35dB, 噪声系数 NF 3.0dB							
Approvals	DATE																		
DRWN																			
ENG																			
CHK																			
Q.A.																			
<table border="1"> <tr> <td>HOLE DIAMETER</td> <td>TOLERANCES</td> </tr> <tr> <td>.35 TO 3.20</td> <td>+.05/- .02</td> </tr> <tr> <td>3.21 TO 6.35</td> <td>+.10/- .03</td> </tr> <tr> <td>6.36 TO 12.70</td> <td>+.15/- .03</td> </tr> <tr> <td>12.71 TO 19.05</td> <td>+.20/- .03</td> </tr> <tr> <td>19.06 TO 25.40</td> <td>+.25/- .03</td> </tr> <tr> <td>25.41 TO 50.80</td> <td>+.30/- .03</td> </tr> </table>		HOLE DIAMETER	TOLERANCES	.35 TO 3.20	+.05/- .02	3.21 TO 6.35	+.10/- .03	6.36 TO 12.70	+.15/- .03	12.71 TO 19.05	+.20/- .03	19.06 TO 25.40	+.25/- .03	25.41 TO 50.80	+.30/- .03	SIZE	CAGE NO	DWG NO.	REV
HOLE DIAMETER	TOLERANCES																		
.35 TO 3.20	+.05/- .02																		
3.21 TO 6.35	+.10/- .03																		
6.36 TO 12.70	+.15/- .03																		
12.71 TO 19.05	+.20/- .03																		
19.06 TO 25.40	+.25/- .03																		
25.41 TO 50.80	+.30/- .03																		
		A3			1														
		SCALE	UNIT	SHEET 1 OF 1															
		3:2	mm																