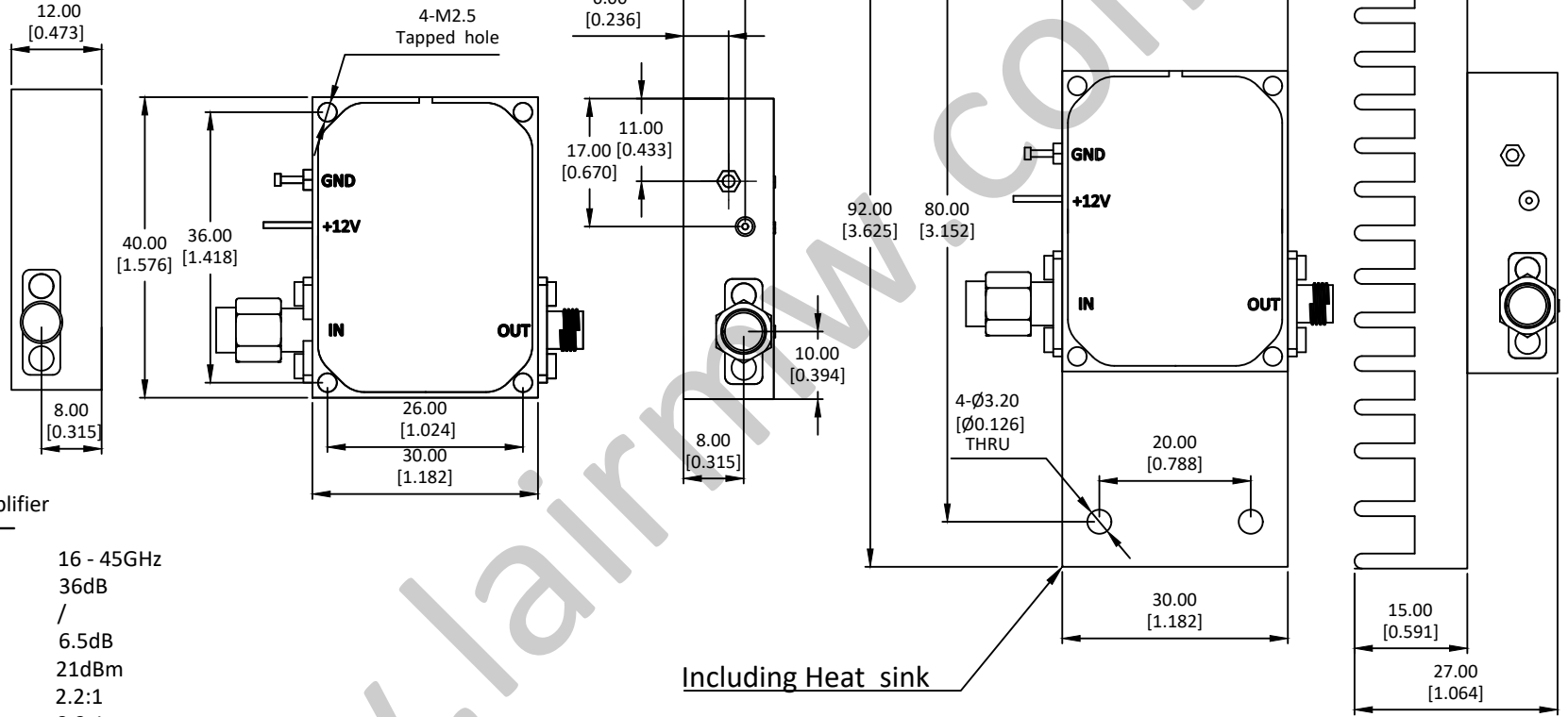
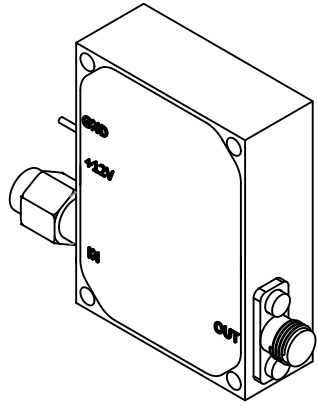


NOTES: UNLESS OTHERWISE SPECIFIED  
THIS IS A CAD GENERATED DRAWING, DO NOT REVISE MANUALLY

REVISION HISTORY					
ZONE	REV	DESCRIPTION	E.C.O.NO	DATE	APPROVED
	1	ENGINEERING RELEASE			



## LAL-1245

16~45GHz 低噪声放大器 Low Noise Amplifier

### —电气技术参数 Electrical Specifications—

频率范围 Frequency Range:	16 - 45GHz
增益 Gain:	36dB
增益平坦度 Gain Flatness:	/
噪声系数 Noise Figure:	6.5dB
输出 $P_{1dB}$ Output $P_{1dB}$ :	21dBm
输入驻波比 Input VSWR:	2.2:1
输出驻波比 Output VSWR:	2.2:1
直流偏置电压 DC Supply Voltage:	+12V
直流偏置电流 DC Supply Current:	300mA
工作温度 Operation Temperature:	-40~+85°C
存储温度 Storage Temperature:	-50~+105°C

### —机械技术参数 Mechanical Specification—

输入连接器 Input Interface:	2.92mm-F
输出连接器 Output Interface:	2.92mm-F
尺寸 Size (excluding connectors):	/
重量 Weight:	/

Including Heat sink

UNLESS OTHERWISE SPECIFIED DIMENSIONS ARE MILLIMETER TOLERANCES ARE: DECIMALS ANGLES FRACTIONS .XX±0.03 ±1' ±2/5 .XXX±0.012				 www.lairmw.com sales@lairmw.com		P/N: LAL-1245	
HOLE DIAMETER .35 TO 3.20 3.21 TO 6.35 6.36 TO 12.70 12.71 TO 19.05 19.06 TO 25.40 25.41 TO 50.80		TOLERANCES +.05/- .02 +.10/- .03 +.15/- .03 +.20/- .03 +.25/- .03 +.30/- .03		Approvals DRWN ENG CHK Q.A.		DATE 16-45GHz 低噪声放大器 Low Noise Amplifier 增益 Gain 36dB, 噪声系数 NF 6.5dB	
SCALE 3:2		UNIT mm		SIZE A3		CAGE NO.	
SHEET 1 OF 1		DWG NO.		REV 1			