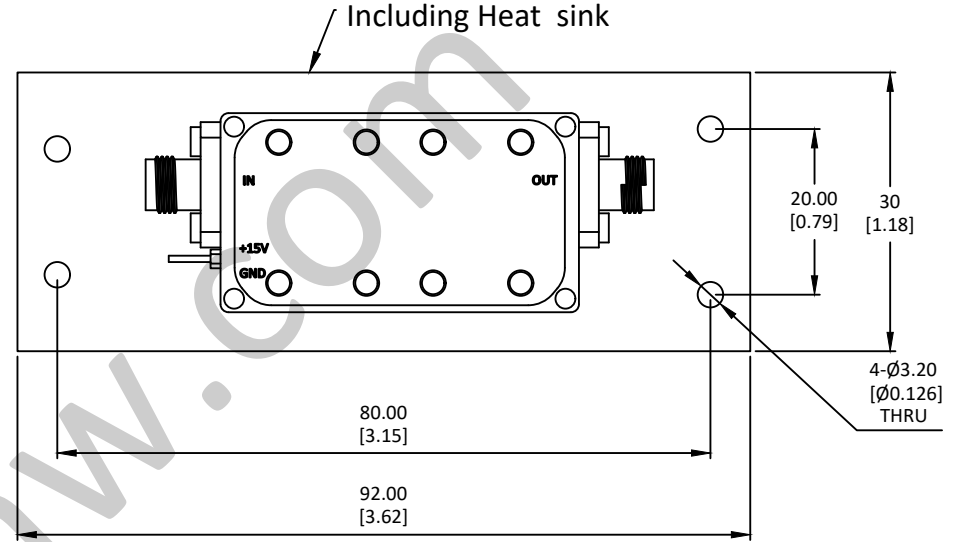
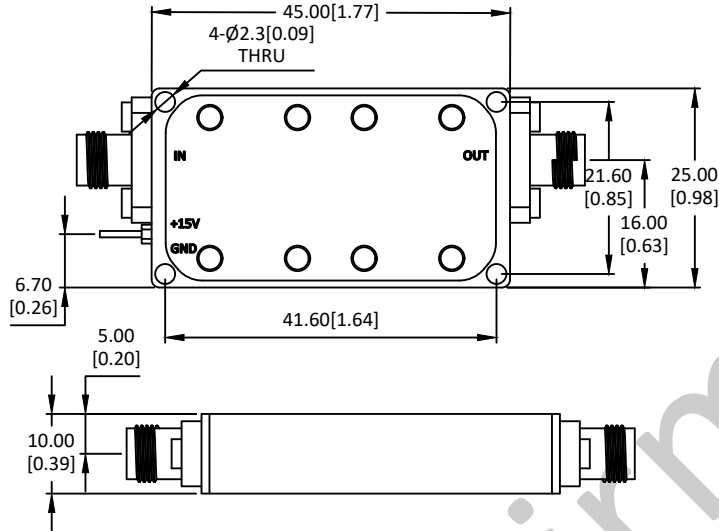
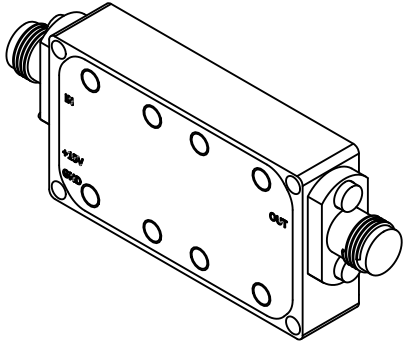


NOTES: UNLESS OTHERWISE SPECIFIED  
THIS IS A CAD GENERATED DRAWING, DO NOT REVISE MANUALLY

REVISION HISTORY					
ZONE	REV	DESCRIPTION	E.C.O.NO	DATE	APPROVED
	1	ENGINEERING RELEASE			



## LAL-1236

1~2GHz 低噪声放大器 Low Noise Amplifier

—电气技术参数 Electrical Specifications—

频率范围 Frequency Range:

增益 Gain:

增益平坦度 Gain Flatness:

噪声系数 Noise Figure:

输出 $P_{1dB}$  Output  $P_{1dB}$ :

输入驻波比 Input VSWR:

输出驻波比 Output VSWR:

直流偏置电压 DC Supply Voltage:

直流偏置电流 DC Supply Current:

工作温度 Operation Temperature:

存储温度 Storage Temperature:

1 - 2GHz  
22dB  
/  
2.5dB  
26dBm  
1.5:1  
1.5:1  
+15V  
250mA  
-40~+85°C  
-50~+105°C

—机械技术参数 Mechanical Specification—

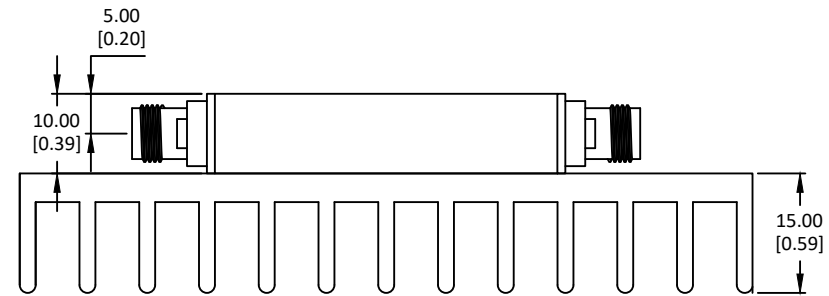
输入连接器 Input Interface:

输出连接器 Output Interface:

尺寸 Size (excluding connectors):

重量 Weight:

SMA-F  
SMA-F  
/  
/



UNLESS OTHERWISE SPECIFIED DIMENSIONS ARE MILLIMETER TOLERANCES ARE: DECIMALS ANGLES FRACTIONS .XX±0.03 ±1' ±2/5 .XXX±0.012			莱尔微波 Laird Microwave www.lairmw.com sales@lairmw.com	P/N: LAL-1236	
	Approvals	DATE		1-2GHz 低噪声放大器 Low Noise Amplifier 增益 Gain 22dB, 噪声系数 NF 2.5dB	
HOLE DIAMETER .35 TO 3.20 3.21 TO 6.35 6.36 TO 12.70 12.71 TO 19.05 19.06 TO 25.40 25.41 TO 50.80	TOLERANCES +.05/-02 +.10/-03 +.15/-03 +.20/-03 +.25/-03 +.30/-03	DRWN	ENG	CHK	Q.A.
SCALE 3:2			UNIT mm	SIZE A3	REV 1
SHEET 1 OF 1			CAGE NO.	DWG NO.	SHEET 1 OF 1