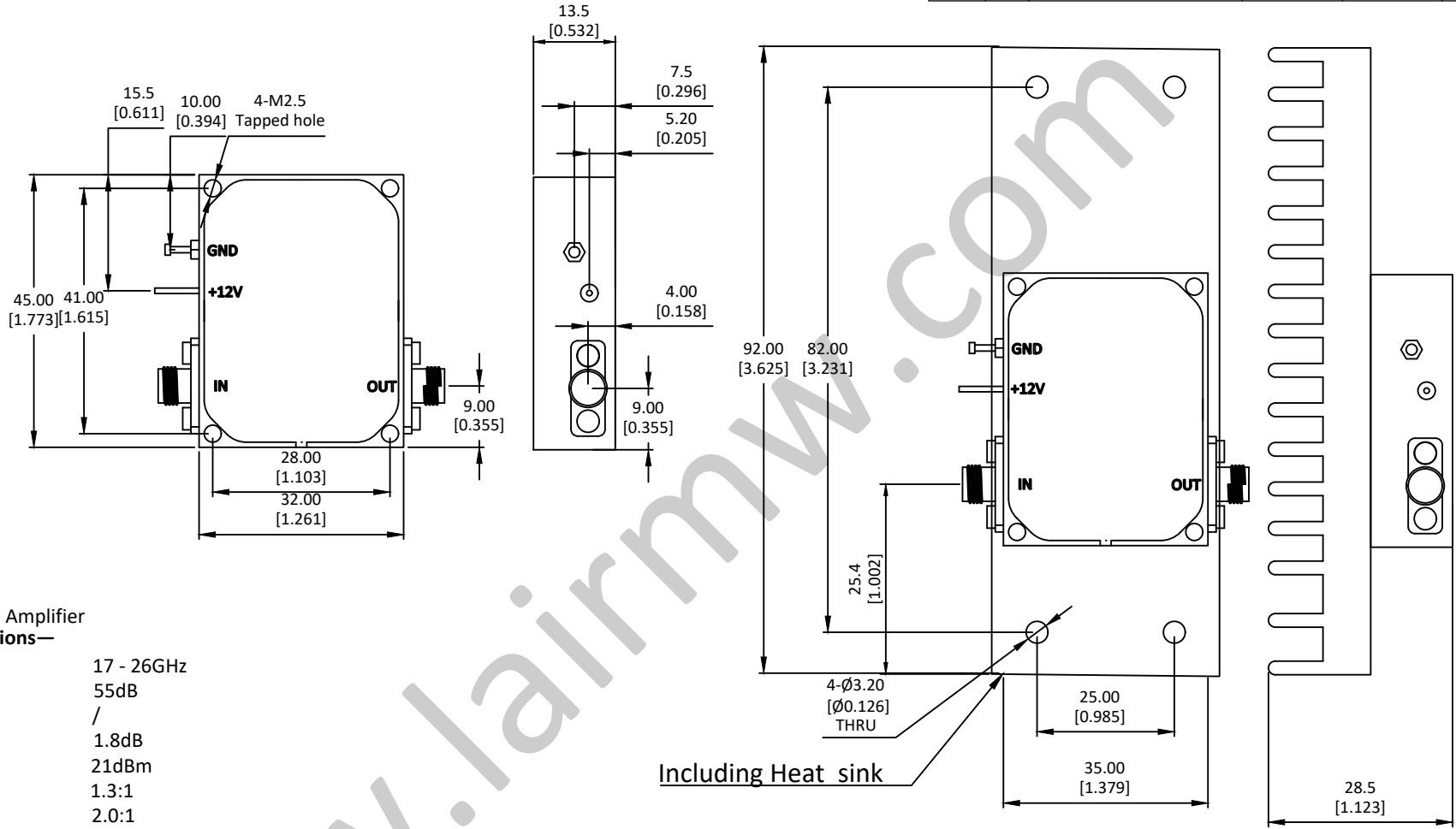
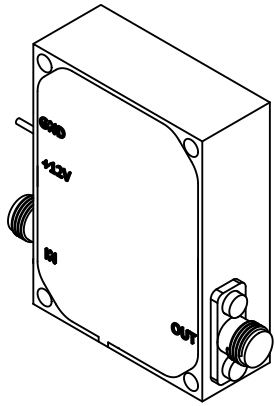


NOTES: UNLESS OTHERWISE SPECIFIED  
THIS IS A CAD GENERATED DRAWING, DO NOT REVISE MANUALLY

REVISION HISTORY					
ZONE	REV	DESCRIPTION	E.C.O.NO	DATE	APPROVED
	1	ENGINEERING RELEASE			



## LAL-1213

17~26GHz 低噪声放大器 Low Noise Amplifier

### —电气技术参数 Electrical Specifications—

频率范围 Frequency Range:	17 - 26GHz
增益 Gain:	55dB
增益平坦度 Gain Flatness:	/
噪声系数 Noise Figure:	1.8dB
输出 P <sub>1dB</sub> Output P <sub>1dB</sub> :	21dBm
输入驻波比 Input VSWR:	1.3:1
输出驻波比 Output VSWR:	2.0:1
直流偏置电压 DC Supply Voltage:	+12V
直流偏置电流 DC Supply Current:	250mA
工作温度 Operation Temperature:	-40~+85℃
存储温度 Storage Temperature:	-50~+105℃

### —机械技术参数 Mechanical Specification—

输入连接器 Input Interface:	2.92mm-F
输出连接器 Output Interface:	2.92mm-F
尺寸 Size (excluding connectors):	/
重量 Weight:	/

Including Heat sink

UNLESS OTHERWISE SPECIFIED DIMENSIONS ARE MILLIMETER TOLERANCES ARE: DECIMALS ANGLES FRACTIONS .XX±0.03 ±1' ±2/5 .XXX±0.012				 www.lairmw.com sales@lairmw.com		P/N: LAL-1213													
<table border="1"> <tr> <td>Approvals</td> <td>DATE</td> </tr> <tr> <td>DRWN</td> <td></td> </tr> <tr> <td>ENG</td> <td></td> </tr> <tr> <td>CHK</td> <td></td> </tr> <tr> <td>Q.A.</td> <td></td> </tr> </table>		Approvals	DATE	DRWN		ENG		CHK		Q.A.		<p>17-26GHz 低噪声放大器 Low Noise Amplifier 增益 Gain 55dB, 噪声系数 NF 1.8dB</p>							
Approvals	DATE																		
DRWN																			
ENG																			
CHK																			
Q.A.																			
<table border="1"> <tr> <td>HOLE DIAMETER</td> <td>TOLERANCES</td> </tr> <tr> <td>.35 TO 3.20</td> <td>+0.5/-0.2</td> </tr> <tr> <td>3.21 TO 6.35</td> <td>+1.0/-0.3</td> </tr> <tr> <td>6.36 TO 12.70</td> <td>+1.5/-0.3</td> </tr> <tr> <td>12.71 TO 19.05</td> <td>+2.0/-0.3</td> </tr> <tr> <td>19.06 TO 25.40</td> <td>+2.5/-0.3</td> </tr> <tr> <td>25.41 TO 50.80</td> <td>+3.0/-0.3</td> </tr> </table>		HOLE DIAMETER	TOLERANCES	.35 TO 3.20	+0.5/-0.2	3.21 TO 6.35	+1.0/-0.3	6.36 TO 12.70	+1.5/-0.3	12.71 TO 19.05	+2.0/-0.3	19.06 TO 25.40	+2.5/-0.3	25.41 TO 50.80	+3.0/-0.3	SIZE	CAGE NO	DWG NO.	REV
HOLE DIAMETER	TOLERANCES																		
.35 TO 3.20	+0.5/-0.2																		
3.21 TO 6.35	+1.0/-0.3																		
6.36 TO 12.70	+1.5/-0.3																		
12.71 TO 19.05	+2.0/-0.3																		
19.06 TO 25.40	+2.5/-0.3																		
25.41 TO 50.80	+3.0/-0.3																		
		A3			1														
		SCALE	UNIT	SHEET 1 OF 1															
		3:2	mm																