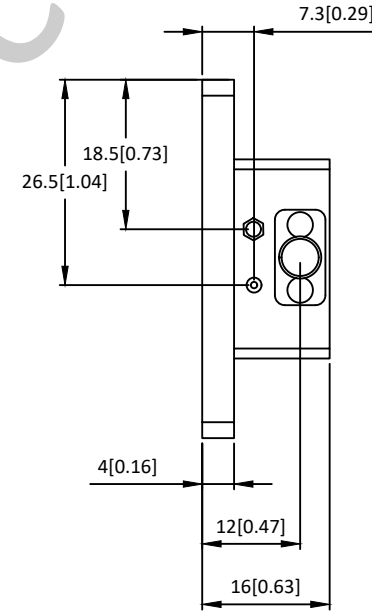
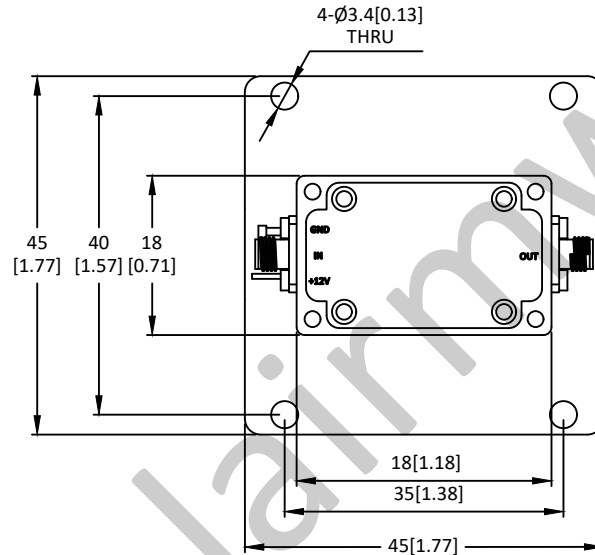
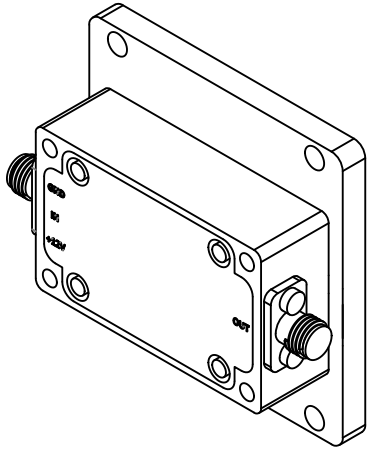


NOTES:UNLESS OTHERWISE SPECIFIED
THIS IS A CAD GENERATED DRAWING,DO NOT REVISE MANUALLY

REVISION HISTORY					
ZONE	REV	DESCRIPTION	E.C.O.NO	DATE	APPROVED
	1	ENGINEERING RELEASE			



LAL-1205

6~20GHz 低噪声放大器 Low Noise Amplifier

—电气技术参数Electrical Specifications—

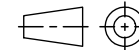
频率范围 Frequency Range:	6 - 20GHz
增益Gain:	45dB
增益平坦度Gain Flatness:	/
噪声系数 Noise Figure:	2.5dB
输出 P_{1dB} Output P_{1dB} :	22dBm
输入驻波比Input VSWR:	1.8:1
输出驻波比Output VSWR:	1.8:1
直流偏置电压DC Supply Voltage:	+12V
直流偏置电流DC Supply Current:	250mA
工作温度Operation Temperature:	-40~+85°C
存储温度Storage Temperature:	-50~+105°C

—机械技术参数Mechanical Specification—

输入连接器Input Interface:	SMA-F
输出连接器Output Interface:	SMA-F
尺寸Size(excluding connectors):	/
重量Weight:	/

UNLESS OTHERWISE SPECIFIED
DIMENSIONS ARE MILLIMETER
TOLERANCES ARE:
DECIMALS ANGLES FRACTIONS
.XX±0.03 ±1° ±2/5
.XXX±0.012

HOLE DIAMETER	TOLERANCES
.35 TO 3.20	+.05/-02
3.21 TO 6.35	+.10/-03
6.36 TO 12.70	+.15/-03
12.71 TO 19.05	+.20/-03
19.06 TO 25.40	+.25/-03
25.41 TO 50.80	+.30/-03



Approvals

DATE

DRWN

ENG

CHK

Q.A.



www.lairmw.com sales@lairmw.com

P/N: LAL-1205

6-20GHz 低噪声放大器 Low Noise Amplifier
增益 Gain 45dB, 噪声系数 NF 2.5dB

SIZE	CAGE NO	DWG NO.	REV
A3			1
SCALE 3:2	UNIT mm	SHEET 1 OF 1	