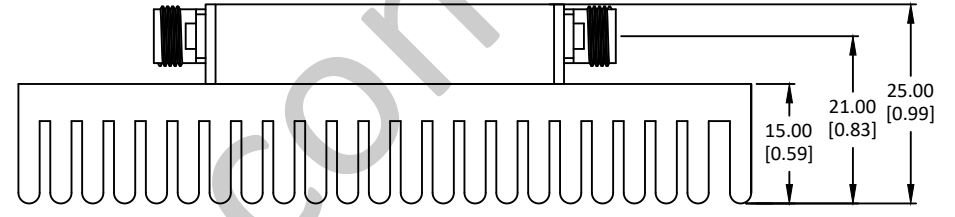
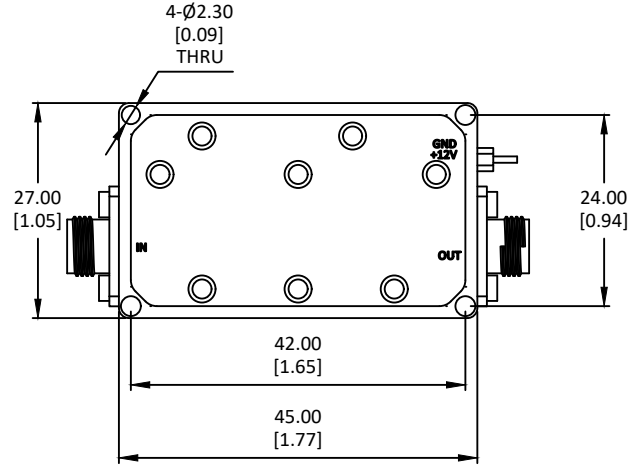
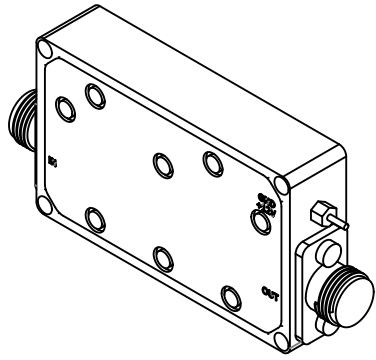
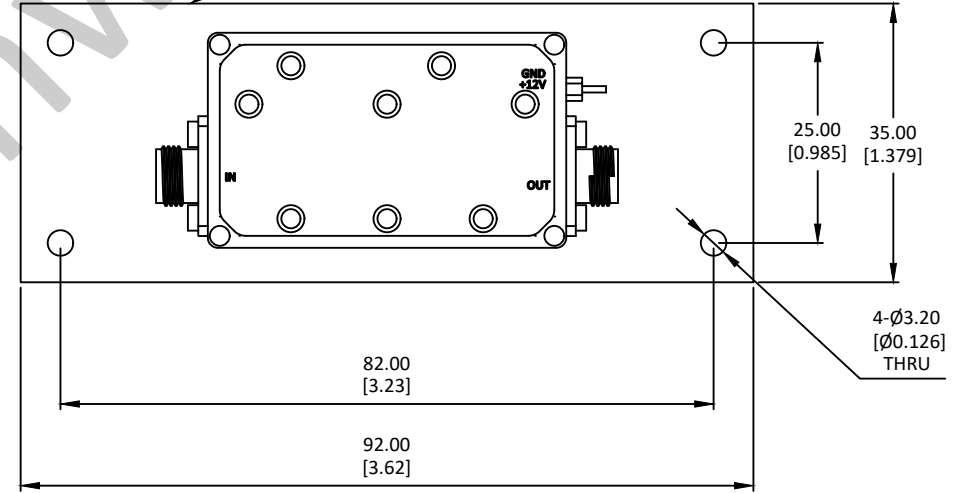


NOTES: UNLESS OTHERWISE SPECIFIED  
THIS IS A CAD GENERATED DRAWING, DO NOT REVISE MANUALLY

REVISION HISTORY					
ZONE	REV	DESCRIPTION	E.C.O.NO	DATE	APPROVED
	1	ENGINEERING RELEASE			



Including Heat sink



## LAL-1196

0.5~6GHz 低噪声放大器 Low Noise Amplifier

—电气技术参数 Electrical Specifications—

频率范围 Frequency Range:

0.5 - 6GHz

增益 Gain:

42dB

增益平坦度 Gain Flatness:

/

噪声系数 Noise Figure:

2.5dB

输出 $P_{1dB}$  Output  $P_{1dB}$ :

20dBm

输入驻波比 Input VSWR:

2.0:1

输出驻波比 Output VSWR:

1.6:1

直流偏置电压 DC Supply Voltage:

+12V

直流偏置电流 DC Supply Current:

280mA

工作温度 Operation Temperature:

-40~+85°C

存储温度 Storage Temperature:

-50~+105°C

—机械技术参数 Mechanical Specification—

输入连接器 Input Interface:

SMA-F

输出连接器 Output Interface:

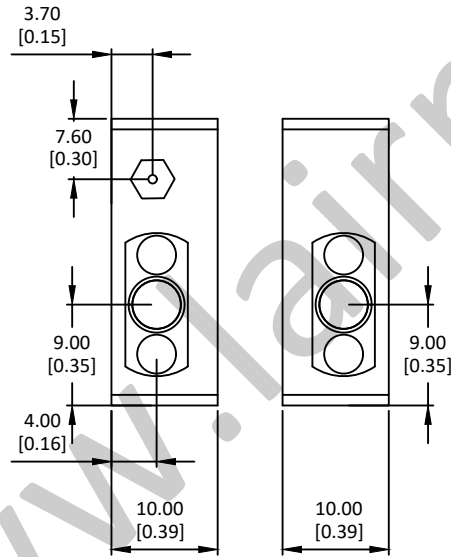
SMA-F

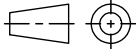
尺寸 Size (excluding connectors):

/

重量 Weight:

/



UNLESS OTHERWISE SPECIFIED DIMENSIONS ARE MILLIMETER TOLERANCES ARE: DECIMALS ANGLES FRACTIONS .XX $\pm$ 0.03 $\pm$ 1' $\pm$ 2/5 .XXX $\pm$ 0.012		 Approvals DATE		 www.lairmw.com sales@lairmw.com		P/N: LAL-1196	
HOLE DIAMETER .35 TO 3.20 3.21 TO 6.35 6.36 TO 12.70 12.71 TO 19.05 19.06 TO 25.40 25.41 TO 50.80		TOLERANCES +.05/-02 +.10/-03 +.15/-03 +.20/-03 +.25/-03 +.30/-03		DRWN ENG CHK Q.A.		0.5-6GHz 低噪声放大器 Low Noise Amplifier 增益 Gain 42dB, 噪声系数 NF 2.5dB	
				SIZE	CAGE NO	DWG NO.	REV
				A3			1
				SCALE	UNIT	SHEET 1 OF 1	
				3:2	mm		