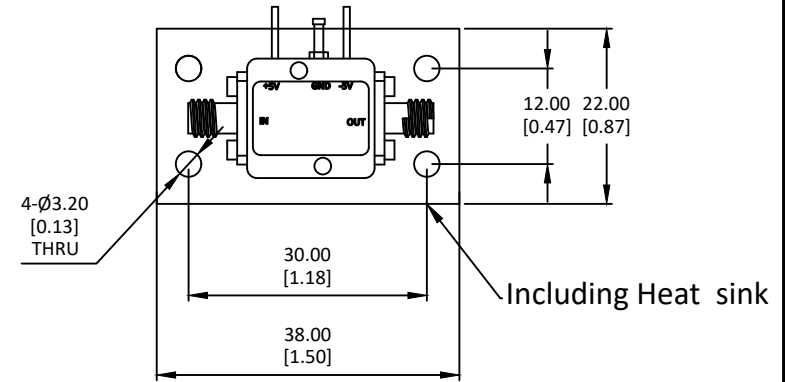
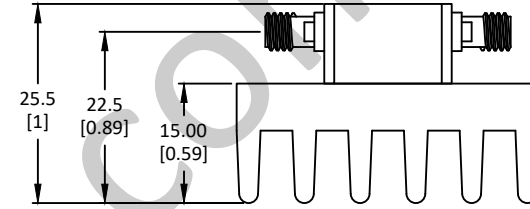
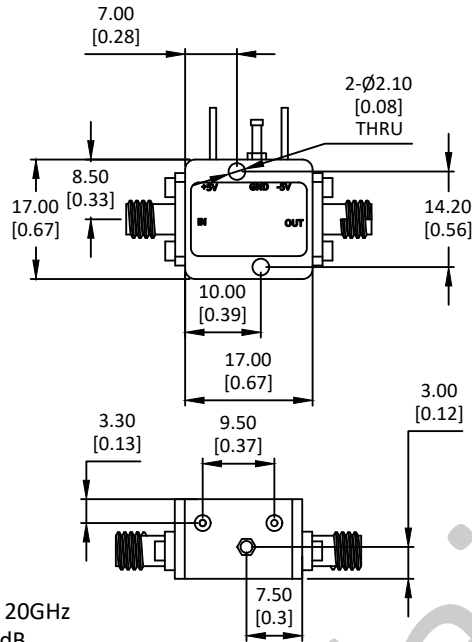
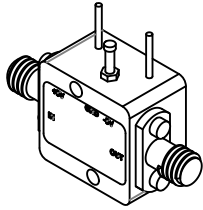


NOTES: UNLESS OTHERWISE SPECIFIED
THIS IS A CAD GENERATED DRAWING, DO NOT REVISE MANUALLY

REVISION HISTORY					
ZONE	REV	DESCRIPTION	E.C.O.NO	DATE	APPROVED
	1	ENGINEERING RELEASE			



LAL-1194

2~20GHz 低噪声放大器 Low Noise Amplifier

频率范围 Frequency Range: 2 - 20GHz
 增益Gain: 14dB
 增益平坦度Gain Flatness: /
 噪声系数 Noise Figure: 2.5dB
 输出 P_{1dB} Output P_{1dB} : 16dBm
 输入驻波比Input VSWR: 3.0:1
 输出驻波比Output VSWR: 1.6:1
 直流偏置电压DC Supply Voltage: +5V
 直流偏置电流DC Supply Current: 60mA
 工作温度Operation Temperature: -40~+85°C
 存储温度Storage Temperature: -50~+105°C

输入连接器Input Interface: SMA-F
 输出连接器Output Interface: SMA-F
 尺寸Size(excluding connectors): /
 重量Weight: /

UNLESS OTHERWISE SPECIFIED DIMENSIONS ARE MILLIMETER TOLERANCES ARE: DECIMALS ANGLES FRACTIONS .XX±0.03 ±1' ±2/5 .XXX±0.012						P/N: LAL-1194	
		Approvals		DATE		2-20GHz 低噪声放大器 Low Noise Amplifier 增益 Gain 14dB, 噪声系数 NF 2.5dB	
HOLE DIAMETER .35 TO 3.20 3.21 TO 6.35 6.36 TO 12.70 12.71 TO 19.05 19.06 TO 25.40 25.41 TO 50.80		TOLERANCES +.05/-02 +.10/-03 +.15/-03 +.20/-03 +.25/-03 +.30/-03		DRWN		SIZE A3	
		ENG		CHK		CAGE NO	
		Q.A.		SCALE 3:2		DWG NO.	
				UNIT mm		REV 1	
				SHEET 1 OF 1			