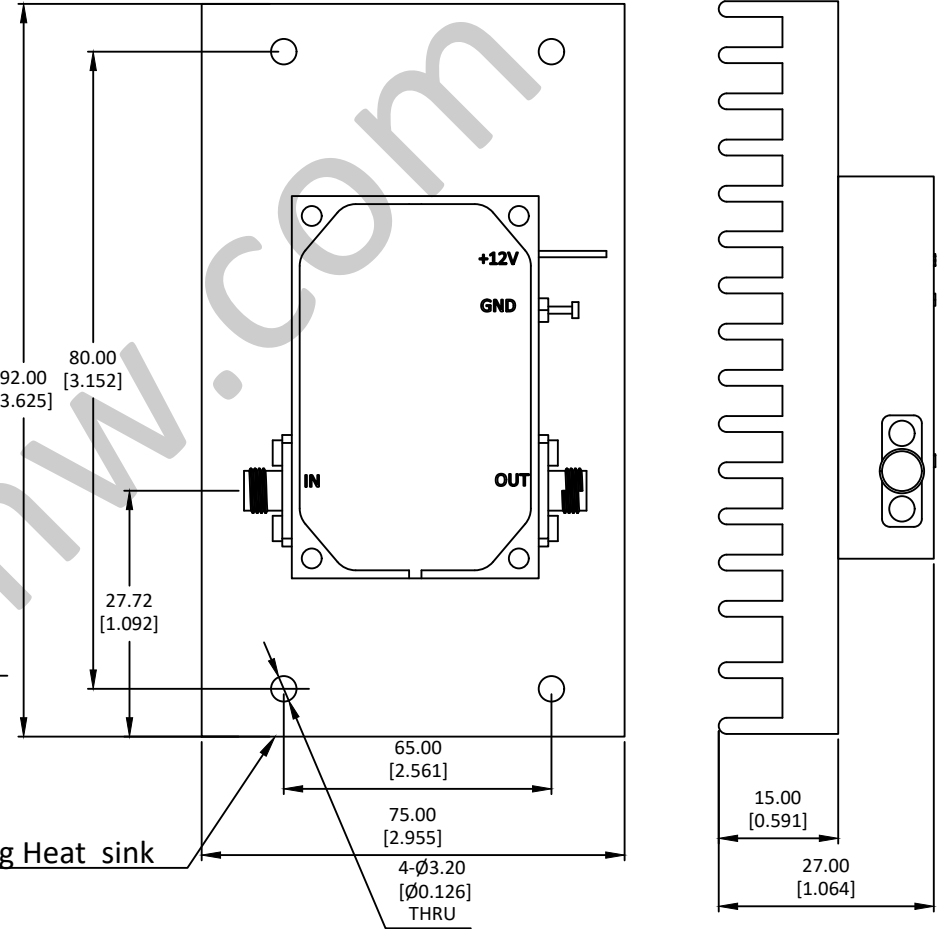
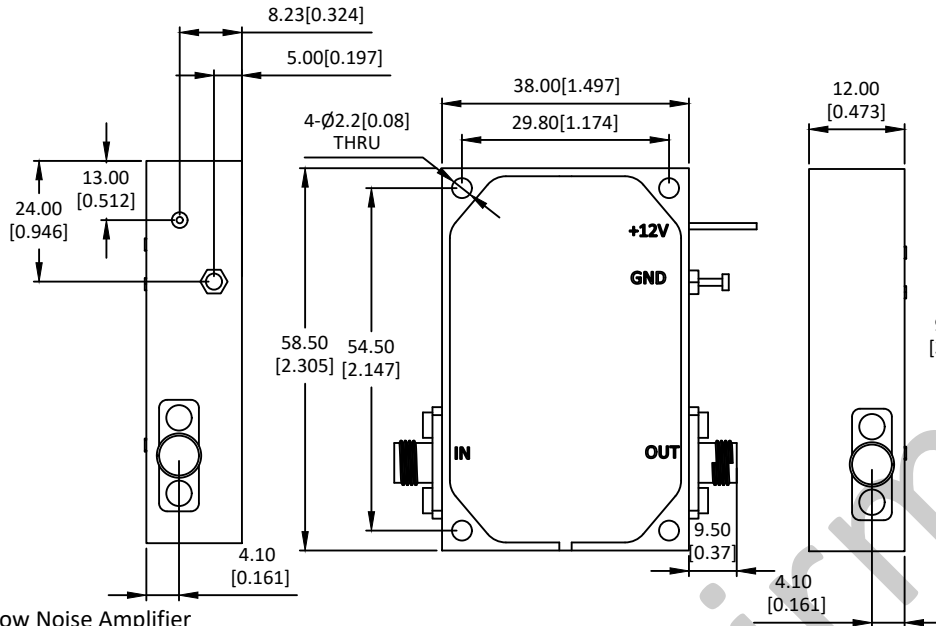
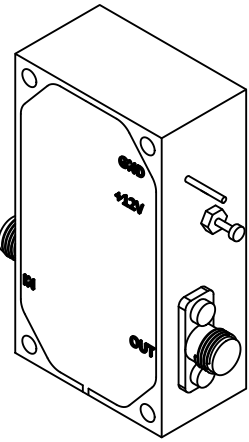


NOTES: UNLESS OTHERWISE SPECIFIED
THIS IS A CAD GENERATED DRAWING, DO NOT REVISE MANUALLY

REVISION HISTORY					
ZONE	REV	DESCRIPTION	E.C.O.NO	DATE	APPROVED
	1	ENGINEERING RELEASE			



LAL-1190

2~18GHz 低噪声放大器 Low Noise Amplifier

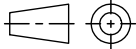


—电气技术参数 Electrical Specifications—

频率范围 Frequency Range:	2 - 18GHz
增益 Gain:	35dB
增益平坦度 Gain Flatness:	/
噪声系数 Noise Figure:	2.0dB
输出 P _{1dB} Output P _{1dB} :	27.5dBm
输入驻波比 Input VSWR:	1.5:1
输出驻波比 Output VSWR:	2.0:1
直流偏置电压 DC Supply Voltage:	+12V
直流偏置电流 DC Supply Current:	600mA
工作温度 Operation Temperature:	-40~+85°C
存储温度 Storage Temperature:	-50~+105°C

—机械技术参数 Mechanical Specification—

输入连接器 Input Interface:	SMA-F
输出连接器 Output Interface:	SMA-F
尺寸 Size (excluding connectors):	/
重量 Weight:	/

Including Heat sink

UNLESS OTHERWISE SPECIFIED DIMENSIONS ARE MILLIMETER TOLERANCES ARE: DECIMALS ANGLES FRACTIONS .XX±0.03 ±1' ±2/5 .XXX±0.012	 	 莱尔微波 Laird Microwave www.lairmw.com sales@lairmw.com	P/N: LAL-1190				
			2-18GHz 低噪声放大器 Low Noise Amplifier 增益 Gain 35dB, 噪声系数 NF 2.0dB				
HOLE DIAMETER .35 TO 3.20 3.21 TO 6.35 6.36 TO 12.70 12.71 TO 19.05 19.06 TO 25.40 25.41 TO 50.80	TOLERANCES +.05/-02 +.10/-03 +.15/-03 +.20/-03 +.25/-03 +.30/-03	DRWN	DATE	SIZE	CAGE NO	DWG NO.	REV
		ENG		A3			
		CHK		SCALE	UNIT	SHEET 1 OF 1	
		Q.A.		3:2	mm		