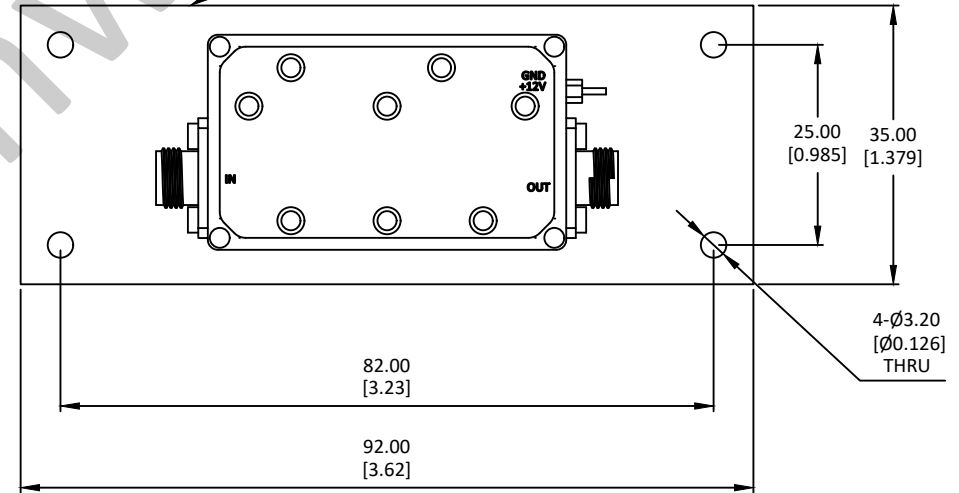
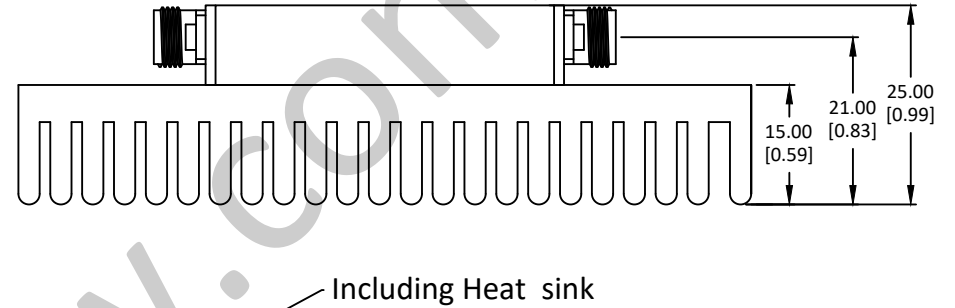
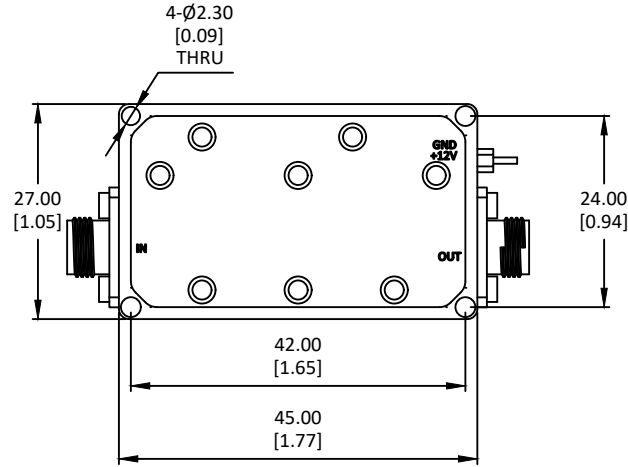
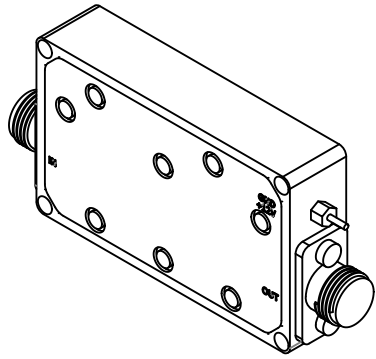


NOTES: UNLESS OTHERWISE SPECIFIED  
THIS IS A CAD GENERATED DRAWING, DO NOT REVISE MANUALLY

| REVISION HISTORY |     |                     |          |      |          |
|------------------|-----|---------------------|----------|------|----------|
| ZONE             | REV | DESCRIPTION         | E.C.O.NO | DATE | APPROVED |
|                  | 1   | ENGINEERING RELEASE |          |      |          |



## LAL-1188

2~4GHz 低噪声放大器 Low Noise Amplifier

—电气技术参数 Electrical Specifications—

频率范围 Frequency Range:

增益 Gain:

增益平坦度 Gain Flatness:

噪声系数 Noise Figure:

输出  $P_{1dB}$  Output  $P_{1dB}$ :

输入驻波比 Input VSWR:

输出驻波比 Output VSWR:

直流偏置电压 DC Supply Voltage:

直流偏置电流 DC Supply Current:

工作温度 Operation Temperature:

存储温度 Storage Temperature:

2 - 4GHz

44dB

/

1.8dB

24dBm

1.5:1

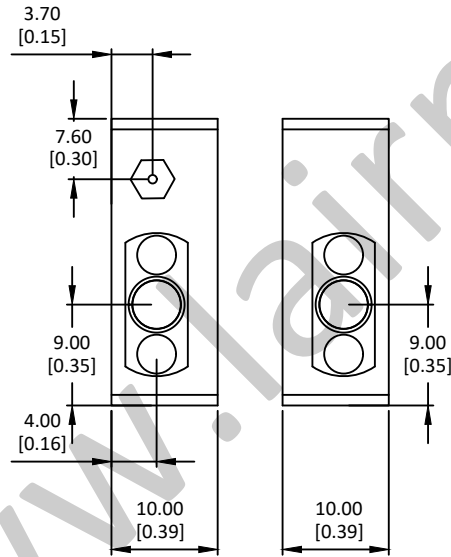
1.6:1

+12V

220mA

-40~+85°C

-50~+105°C



—机械技术参数 Mechanical Specification—

输入连接器 Input Interface:

输出连接器 Output Interface:

尺寸 Size (excluding connectors):

重量 Weight:

SMA-F

SMA-F

/

/

|  |  |  |  |                   |  |   |  |  |  |
|--|--|--|--|-------------------|--|---|--|--|--|
| UNLESS OTHERWISE SPECIFIED<br>DIMENSIONS ARE MILLIMETER<br>TOLERANCES ARE:<br>DECIMALS ANGLES FRACTIONS<br>.XX±0.03 ±1' ±2/5<br>.XXX±0.012 |  |  |  |                   |  | 莱尔微波<br>www.lairmw.com sales@lairmw.com |  | P/N: LAL-1188  |  |
| HOLE DIAMETER<br>.35 TO 3.20<br>3.21 TO 6.35<br>6.36 TO 12.70<br>12.71 TO 19.05<br>19.06 TO 25.40<br>25.41 TO 50.80                        |  | TOLERANCES<br>+.05/-02<br>+.10/-03<br>+.15/-03<br>+.20/-03<br>+.25/-03<br>+.30/-03 |  | Approvals<br>DATE |  | DRWN<br>ENG<br>CHK<br>Q.A.              |  | 2-4GHz 低噪声放大器 Low Noise Amplifier<br>增益 Gain 44dB, 噪声系数 NF 1.8dB |  |
|  |  |  |  | SIZE A3           |  | CAGE NO                                 |  | DWG NO.  |  |
|  |  |  |  | SCALE 3:2         |  | UNIT mm                                 |  | REV 1  |  |
|  |  |  |  |                   |  | SHEET 1 OF 1                            |  |  |  |