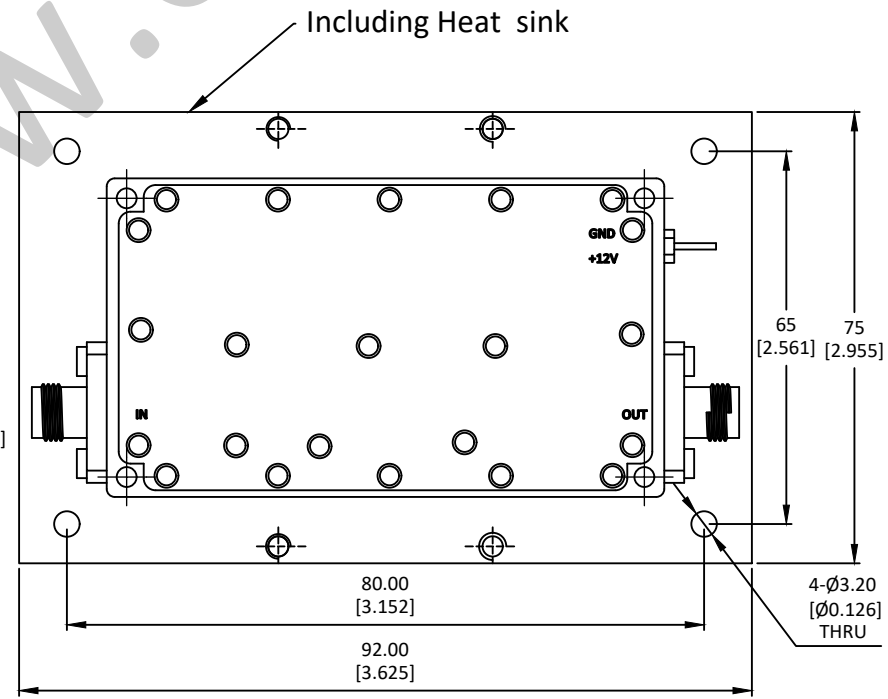
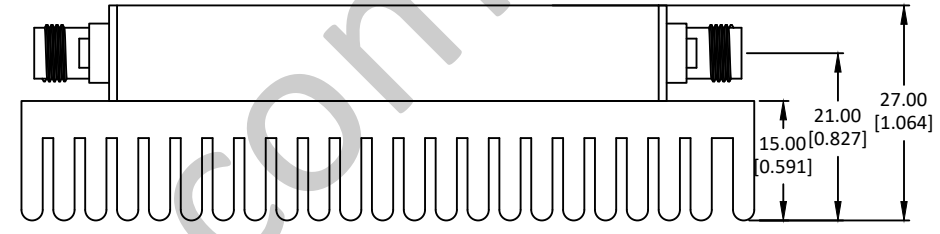
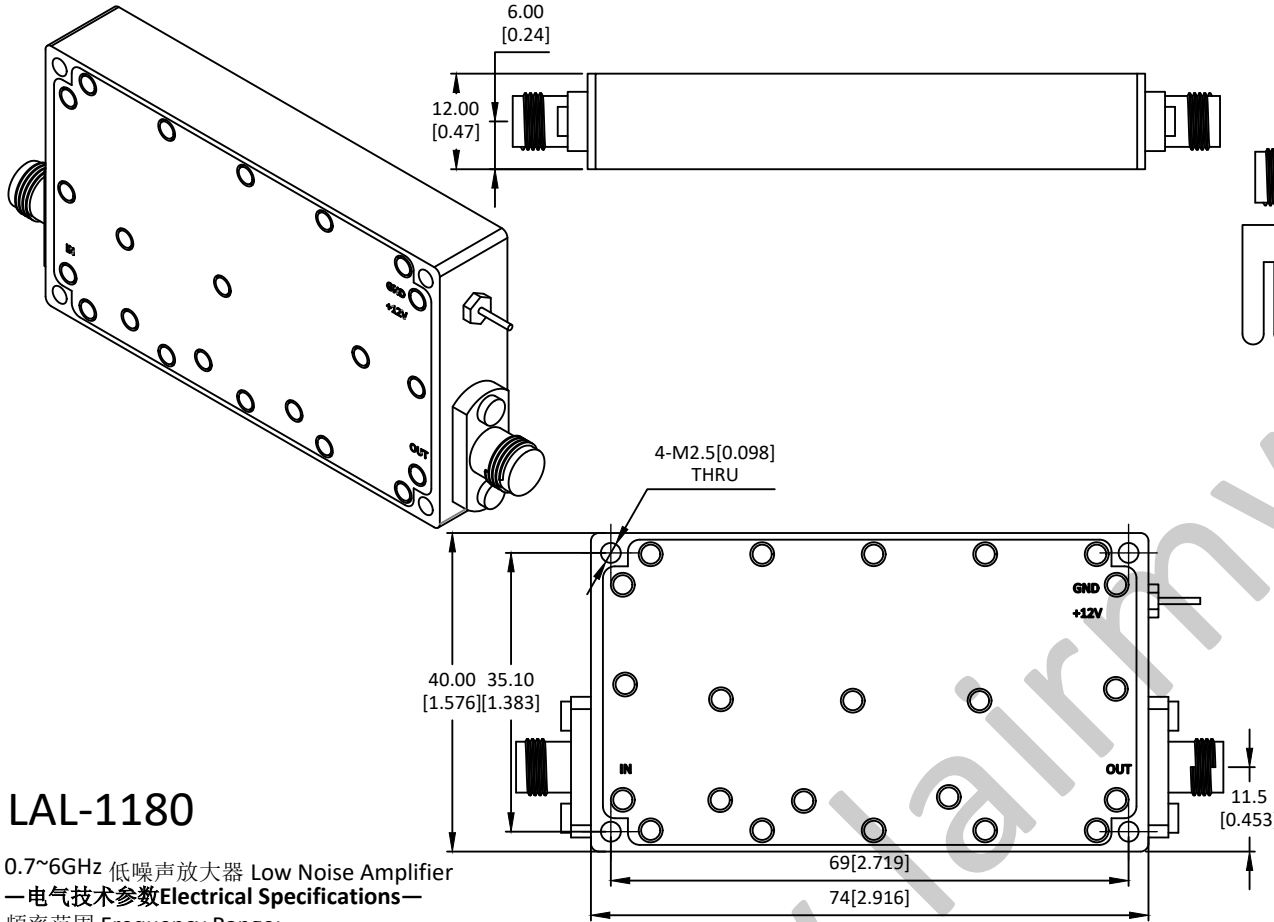


NOTES: UNLESS OTHERWISE SPECIFIED
THIS IS A CAD GENERATED DRAWING, DO NOT REVISE MANUALLY

REVISION HISTORY					
ZONE	REV	DESCRIPTION	E.C.O.NO	DATE	APPROVED
	1	ENGINEERING RELEASE			



LAL-1180

0.7~6GHz 低噪声放大器 Low Noise Amplifier

—电气技术参数 Electrical Specifications—

频率范围 Frequency Range:	0.7 - 6GHz
增益 Gain:	43dB
增益平坦度 Gain Flatness:	/
噪声系数 Noise Figure:	2.5dB
输出 P _{1dB} Output P _{1dB} :	25dBm
输入驻波比 Input VSWR:	1.8:1
输出驻波比 Output VSWR:	1.8:1
直流偏置电压 DC Supply Voltage:	+12V
直流偏置电流 DC Supply Current:	300mA
工作温度 Operation Temperature:	-40~+85°C
存储温度 Storage Temperature:	-50~+105°C

—机械技术参数 Mechanical Specification—

输入连接器 Input Interface:	SMA-F
输出连接器 Out Interface:	SMA-F
尺寸 Size (excluding connectors):	/
重量 Weight:	/

UNLESS OTHERWISE SPECIFIED DIMENSIONS ARE MILLIMETER TOLERANCES ARE: DECIMALS ANGLES FRACTIONS .X±0.03 ±1' ±2/5 .XXX±0.012						P/N: LAL-1180																															
HOLE DIAMETER .35 TO 3.20 3.21 TO 6.35 6.36 TO 12.70 12.71 TO 19.05 19.06 TO 25.40 25.41 TO 50.80		TOLERANCES +0.5/-0.2 +1.0/-0.3 +1.5/-0.3 +2.0/-0.3 +2.5/-0.3 +3.0/-0.3		<table border="1"> <tr> <th>Approvals</th> <th>DATE</th> </tr> <tr> <td>DRWN</td> <td></td> </tr> <tr> <td>ENG</td> <td></td> </tr> <tr> <td>CHK</td> <td></td> </tr> <tr> <td>Q.A.</td> <td></td> </tr> </table>		Approvals	DATE	DRWN		ENG		CHK		Q.A.		<table border="1"> <tr> <td colspan="4">0.7-6GHz 低噪声放大器 Low Noise Amplifier 增益 Gain 43dB, 噪声系数 NF 2.5dB</td> </tr> <tr> <td>SIZE</td> <td>CAGE NO</td> <td>DWG NO.</td> <td>REV</td> </tr> <tr> <td>A3</td> <td></td> <td></td> <td>1</td> </tr> <tr> <td>SCALE</td> <td>UNIT</td> <td colspan="2">SHEET 1 OF 1</td> </tr> <tr> <td>3:2</td> <td>mm</td> <td colspan="2"></td> </tr> </table>		0.7-6GHz 低噪声放大器 Low Noise Amplifier 增益 Gain 43dB, 噪声系数 NF 2.5dB				SIZE	CAGE NO	DWG NO.	REV	A3			1	SCALE	UNIT	SHEET 1 OF 1		3:2	mm		
Approvals	DATE																																				
DRWN																																					
ENG																																					
CHK																																					
Q.A.																																					
0.7-6GHz 低噪声放大器 Low Noise Amplifier 增益 Gain 43dB, 噪声系数 NF 2.5dB																																					
SIZE	CAGE NO	DWG NO.	REV																																		
A3			1																																		
SCALE	UNIT	SHEET 1 OF 1																																			
3:2	mm																																				