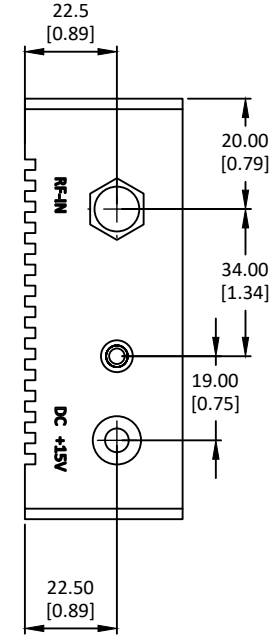
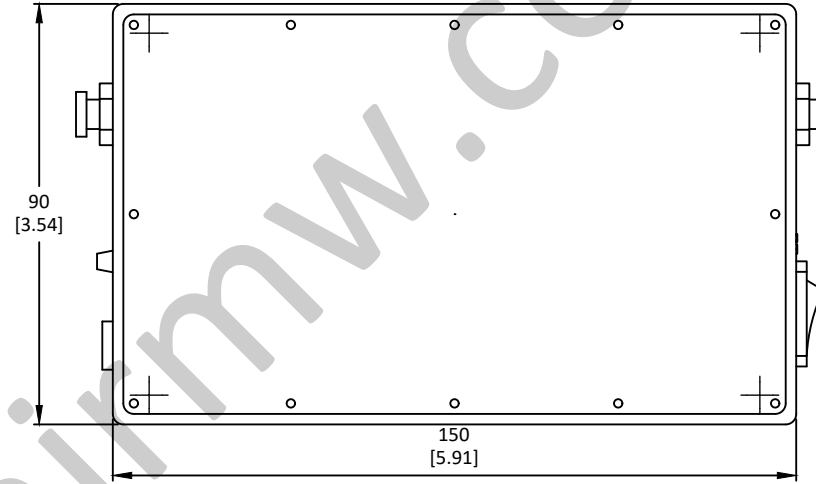
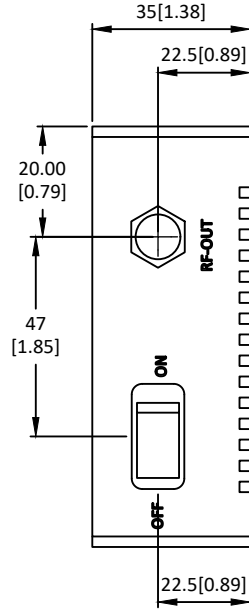
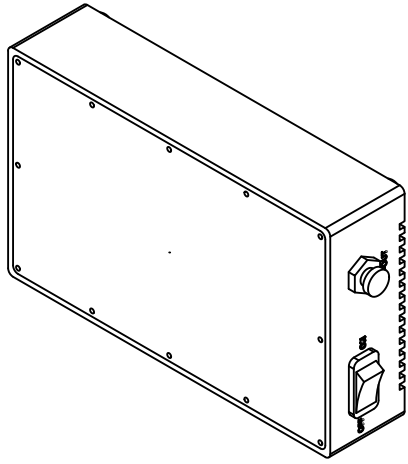


NOTES: UNLESS OTHERWISE SPECIFIED  
THIS IS A CAD GENERATED DRAWING, DO NOT REVISE MANUALLY

REVISION HISTORY					
ZONE	REV	DESCRIPTION	E.C.O.NO	DATE	APPROVED
	1	ENGINEERING RELEASE			



## LAL-1178

0.5~20GHz 低噪声放大器 Low Noise Amplifier

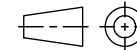
### —电气技术参数 Electrical Specifications—

频率范围 Frequency Range:	0.5 - 20GHz
增益 Gain:	60dB
增益平坦度 Gain Flatness:	/
噪声系数 Noise Figure:	2.0dB
输出 $P_{1dB}$ Output $P_{1dB}$ :	22dBm
输入驻波比 Input VSWR:	1.6:1
输出驻波比 Output VSWR:	1.5:1
直流偏置电压 DC Supply Voltage:	+15V
直流偏置电流 DC Supply Current:	560mA
工作温度 Operation Temperature:	-40~+85°C
存储温度 Storage Temperature:	-50~+105°C

### —机械技术参数 Mechanical Specification—

输入连接器 Input Interface:	SMA-F
输出连接器 Output Interface:	SMA-F
尺寸 Size (excluding connectors):	/
重量 Weight:	/

UNLESS OTHERWISE SPECIFIED  
DIMENSIONS ARE MILLIMETER  
TOLERANCES ARE:  
DECIMALS ANGLES FRACTIONS  
.XX±0.1 ±1° ±2/5  
.XXX±0.03  
.XXX±0.012



Approvals

DATE

DRWN

ENG

CHK

Q.A.



www.lairmw.com sales@lairmw.com

P/N: LAL-1178

0.5-20GHz 低噪声放大器 Low Noise Amplifier  
增益 Gain 60dB, 噪声系数 NF 2.0dB

SIZE  
A3

CAGE NO

DWG NO.

REV  
1

SCALE  
3:2

UNIT  
mm

SHEET 1 OF 1

HOLE DIAMETER  
.35 TO 3.20  
3.21 TO 6.35  
6.36 TO 12.70  
12.71 TO 19.05  
19.06 TO 25.40  
25.41 TO 50.80

TOLERANCES  
+05/-02  
+10/-03  
+15/-03  
+20/-03  
+25/-03  
+30/-03