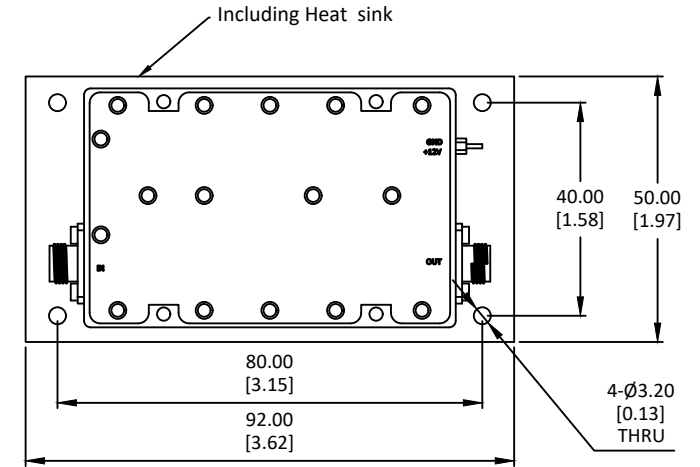
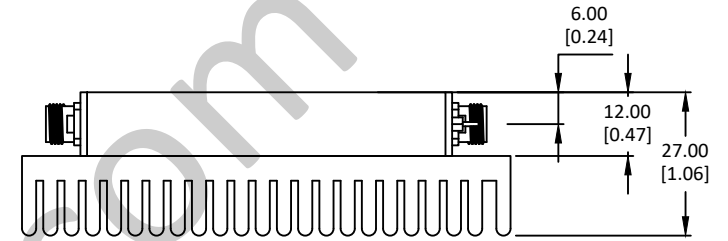
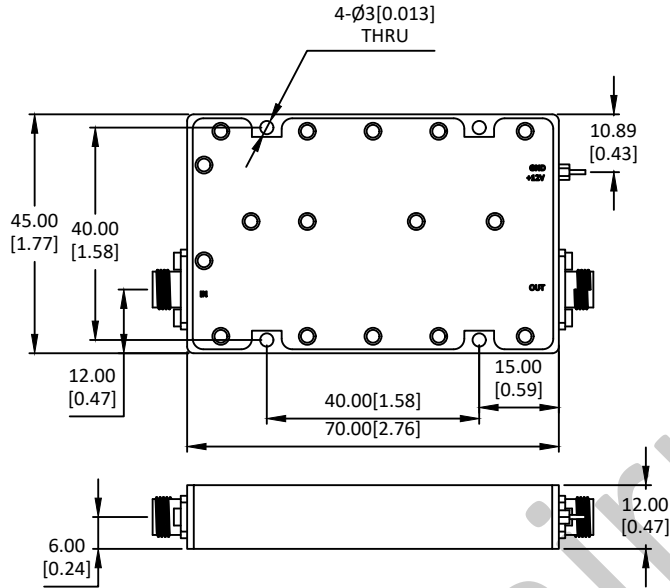
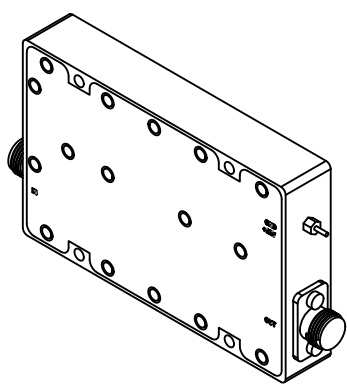


NOTES: UNLESS OTHERWISE SPECIFIED  
THIS IS A CAD GENERATED DRAWING, DO NOT REVISE MANUALLY

REVISION HISTORY					
ZONE	REV	DESCRIPTION	E.C.O.NO	DATE	APPROVED
	1	ENGINEERING RELEASE			



## LAL-1175

0.5~6GHz 低噪声放大器 Low Noise Amplifier

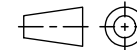
### —电气技术参数 Electrical Specifications—

频率范围 Frequency Range:	0.5 - 6GHz
增益 Gain:	35dB
增益平坦度 Gain Flatness:	/
噪声系数 Noise Figure:	2.5dB
输出 P <sub>1dB</sub> Output P <sub>1dB</sub> :	25dBm
输入驻波比 Input VSWR:	2.5:1
输出驻波比 Output VSWR:	2.0:1
直流偏置电压 DC Supply Voltage:	+12V
直流偏置电流 DC Supply Current:	250mA
工作温度 Operation Temperature:	-40~+85°C
存储温度 Storage Temperature:	-50~+105°C

### —机械技术参数 Mechanical Specification—

输入连接器 Input Interface:	SMA-F
输出连接器 Output Interface:	SMA-F
尺寸 Size (excluding connectors):	/
重量 Weight:	/

UNLESS OTHERWISE SPECIFIED  
DIMENSIONS ARE MILLIMETER  
TOLERANCES ARE:  
DECIMALS ANGLES FRACTIONS  
.X±0.1 ±1' ±2/5  
.XX±0.03  
.XXX±0.012



Approvals	DATE
DRWN	
ENG	
CHK	
Q.A.	



www.lairmw.com sales@lairmw.com

P/N: LAL-1175

0.5-16GHz 低噪声放大器 Low Noise Amplifier  
增益 Gain 35dB, 噪声系数 NF 2.5dB

SIZE	CAGE NO	DWG NO.	REV
A3			1
SCALE	UNIT	SHEET 1 OF 1	
3:2	mm		