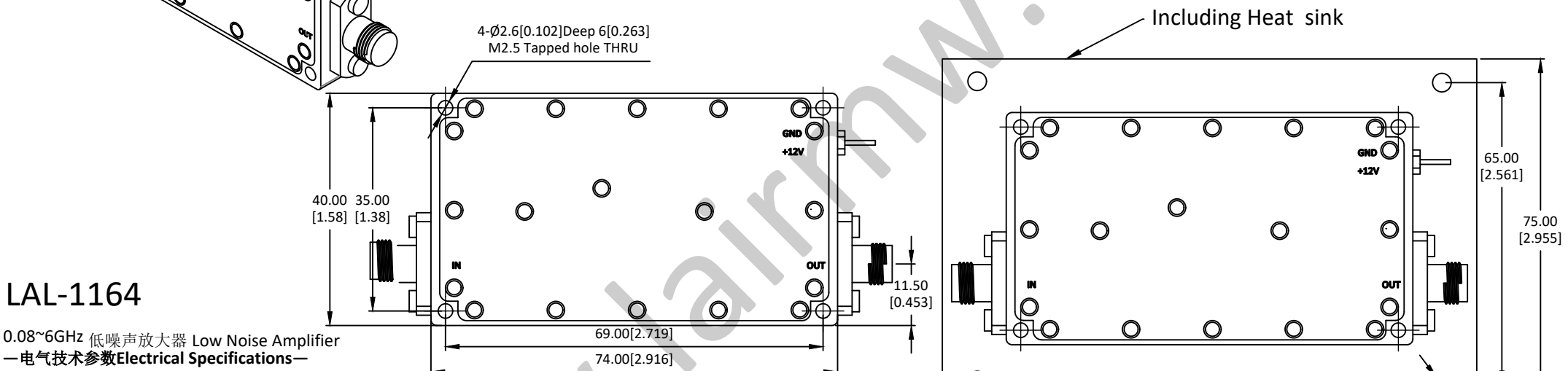
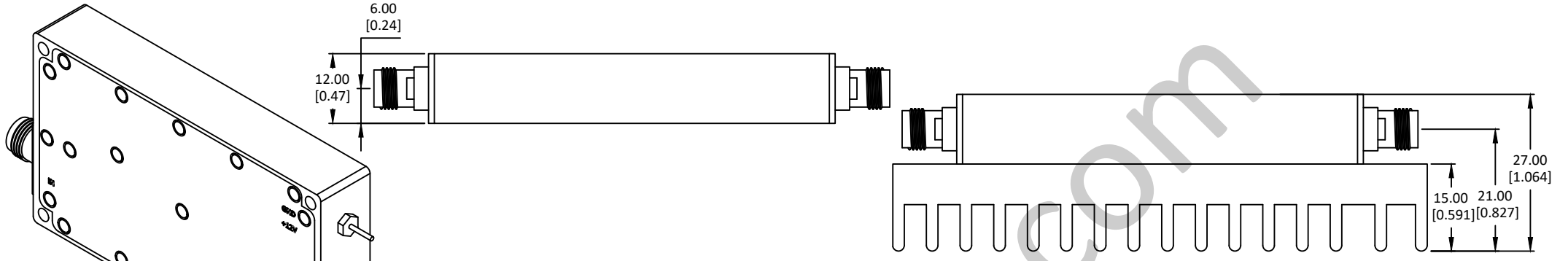


NOTES: UNLESS OTHERWISE SPECIFIED  
THIS IS A CAD GENERATED DRAWING, DO NOT REVISE MANUALLY

REVISION HISTORY					
ZONE	REV	DESCRIPTION	E.C.O.NO	DATE	APPROVED
	1	ENGINEERING RELEASE			



# LAL-1164

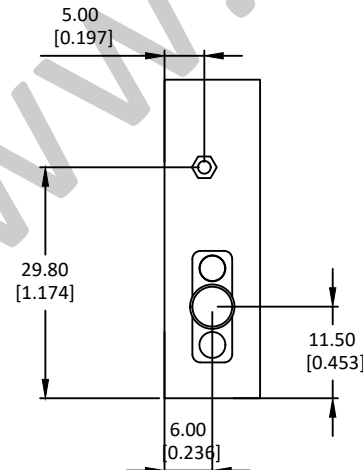
0.08~6GHz 低噪声放大器 Low Noise Amplifier

—电气技术参数 Electrical Specifications—

- 频率范围 Frequency Range: 0.08 - 6GHz
- 增益 Gain: 50dB
- 增益平坦度 Gain Flatness: /
- 噪声系数 Noise Figure: 2.5dB
- 输出 P<sub>1dB</sub> Output P<sub>1dB</sub>: 26dBm
- 输入驻波比 Input VSWR: 2.5:1
- 输出驻波比 Output VSWR: 1.8:1
- 直流偏置电压 DC Supply Voltage: +12V
- 直流偏置电流 DC Supply Current: 380mA
- 工作温度 Operation Temperature: -40~+85°C
- 存储温度 Storage Temperature: -50~+105°C

—机械技术参数 Mechanical Specification—

- 输入连接器 Input Interface: SMA-F
- 输出连接器 Output Interface: SMA-F
- 尺寸 Size (excluding connectors): /
- 重量 Weight: /



UNLESS OTHERWISE SPECIFIED DIMENSIONS ARE MILLIMETER TOLERANCES ARE: DECIMALS ANGLES FRACTIONS .XX±0.03 ±1' ±2/5 .XXX±0.012						P/N: LAL-1164	
		Approvals		DATE			
HOLE DIAMETER .35 TO 3.20 3.21 TO 6.35 6.36 TO 12.70 12.71 TO 19.05 19.06 TO 25.40 25.41 TO 50.80		TOLERANCES +.05/-02 +.10/-03 +.15/-03 +.20/-03 +.25/-03 +.30/-03		DRWN		0.08-6GHz 低噪声放大器 Low Noise Amplifier 增益 Gain 50dB, 噪声系数 NF 2.5dB	
		ENG		CHK		SIZE A3	
		Q.A.		SCALE 3:2		CAGE NO	
				UNIT mm		DWG NO.	
				SHEET 1 OF 1		REV 1	