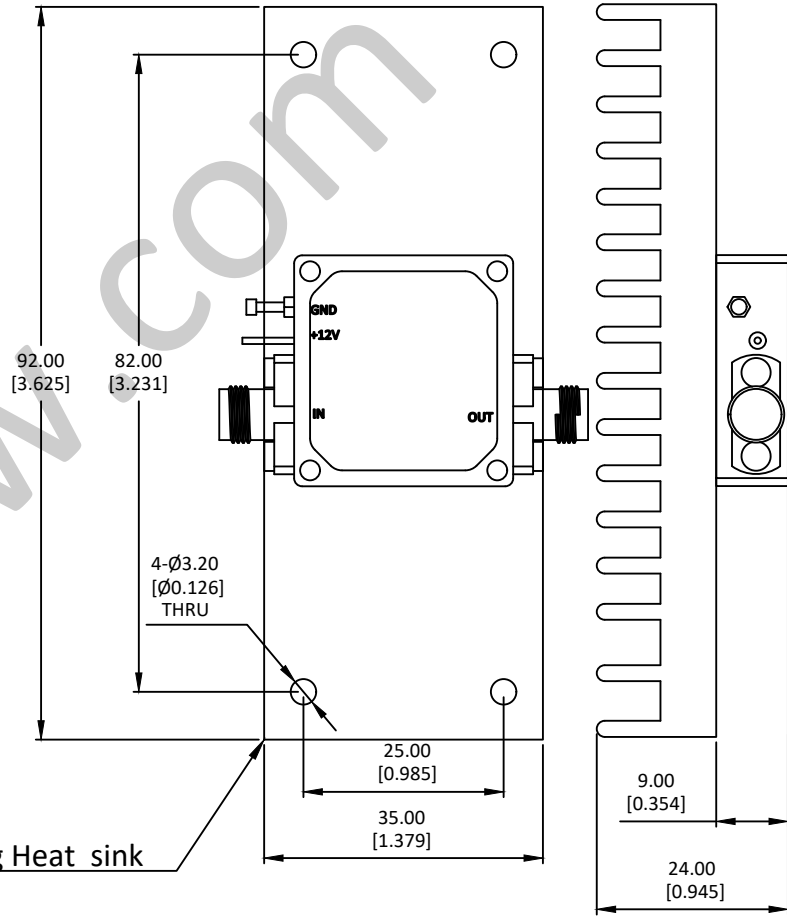
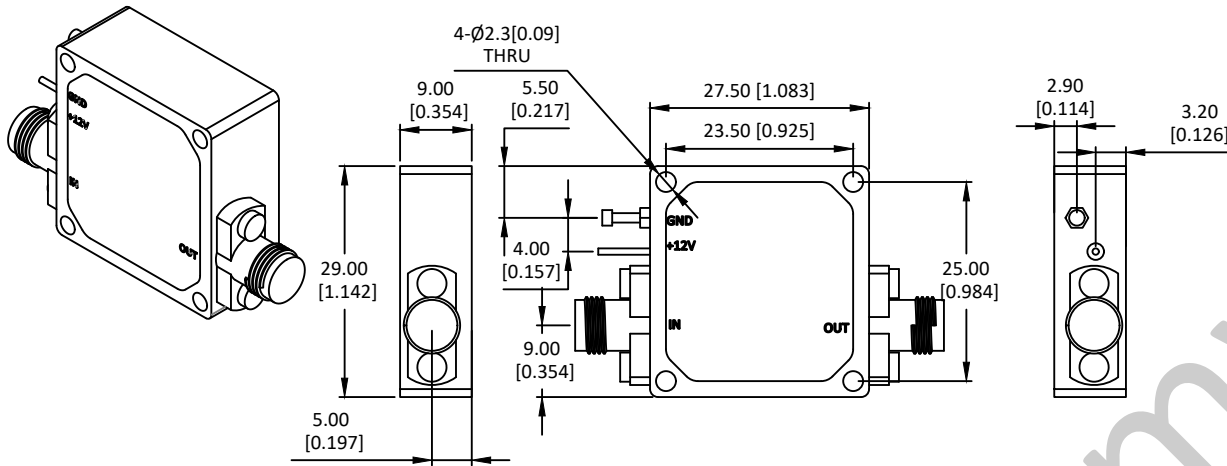


NOTES: UNLESS OTHERWISE SPECIFIED  
THIS IS A CAD GENERATED DRAWING, DO NOT REVISE MANUALLY

| REVISION HISTORY |     |                     |          |      |          |
|------------------|-----|---------------------|----------|------|----------|
| ZONE             | REV | DESCRIPTION         | E.C.O.NO | DATE | APPROVED |
|                  | 1   | ENGINEERING RELEASE |          |      |          |



## LAL-1159

0.01~22GHz 低噪声放大器 Low Noise Amplifier


### —电气技术参数 Electrical Specifications—

|   |              |
|---|--------------|
| 频率范围 Frequency Range:                         | 0.01 - 22GHz |
| 增益 Gain:                                      | 15dB         |
| 增益平坦度 Gain Flatness:                          | /            |
| 噪声系数 Noise Figure:                            | 2.5dB        |
| 输出 P <sub>1dB</sub> Output P <sub>1dB</sub> : | 18dBm        |
| 输入驻波比 Input VSWR:                             | 1.5:1        |
| 输出驻波比 Output VSWR:                            | 1.8:1        |
| 直流偏置电压 DC Supply Voltage:                     | +12V         |
| 直流偏置电流 DC Supply Current:                     | 90mA         |
| 工作温度 Operation Temperature:                   | -40~+85°C    |
| 存储温度 Storage Temperature:                     | -50~+105°C   |

### —机械技术参数 Mechanical Specification—

|                                 |       |
|---------------------------------|-------|
| 输入连接器 Input Interface:          | SMA-F |
| 输出连接器 Output Interface:         | SMA-F |
| 尺寸 Size (excluding connectors): | /     |
| 重量 Weight:                      | /     |

Including Heat sink

|  |   |   |         |  |          |
|--|---|---|---------|--|----------|
| UNLESS OTHERWISE SPECIFIED<br>DIMENSIONS ARE MILLIMETER<br>TOLERANCES ARE:<br>DECIMALS ANGLES FRACTIONS<br>.X±0.1 ±1° ±2/5<br>.XX±0.03<br>.XXX±0.012 |  |  |         | P/N: LAL-1159  |          |
|  |   | www.lairmw.com sales@lairmw.com   |         | 0.01-22GHz 低噪声放大器 Low Noise Amplifier<br>增益 Gain 15dB, 噪声系数 NF 2.5dB |          |
| HOLE DIAMETER<br>.35 TO 3.20<br>3.21 TO 6.35<br>6.36 TO 12.70<br>12.71 TO 19.05<br>19.06 TO 25.40<br>25.41 TO 50.80                                  | TOLERANCES<br>+.05/-02<br>+.10/-03<br>+.15/-03<br>+.20/-03<br>+.25/-03<br>+.30/-03    | DRWN  | ENG     | CHK  | Q.A.     |
|  |   | APPROVALS   | DATE    | SIZE A3  | CAGE NO. |
|  |   |   |         | DWG NO.  | REV 1    |
|  |   | SCALE 3:2   | UNIT mm | SHEET 1 OF 1   |          |