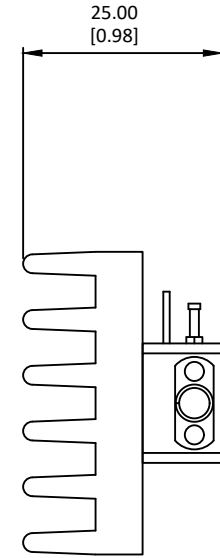
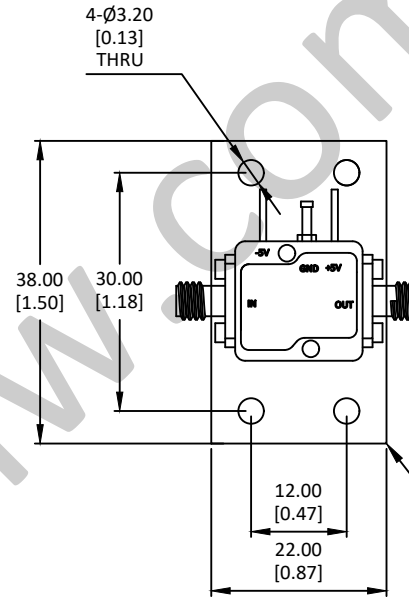
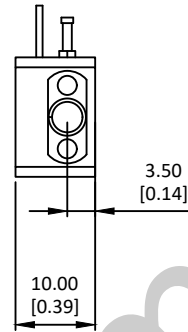
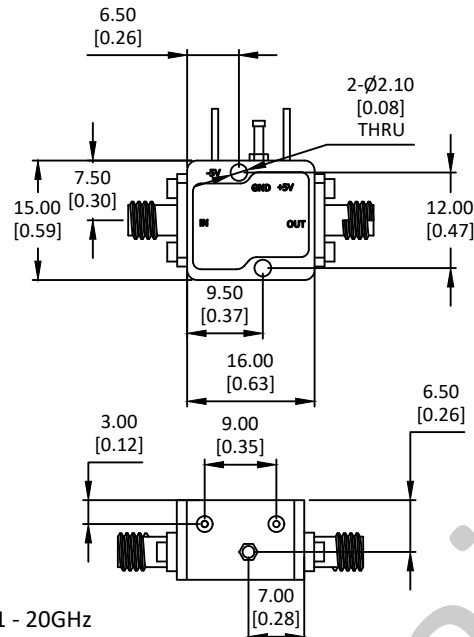
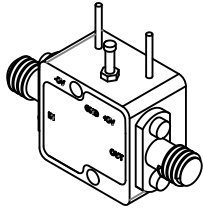


NOTES: UNLESS OTHERWISE SPECIFIED
THIS IS A CAD GENERATED DRAWING, DO NOT REVISE MANUALLY

REVISION HISTORY					
ZONE	REV	DESCRIPTION	E.C.O.NO	DATE	APPROVED
	1	ENGINEERING RELEASE			



Including Heat sink

LAL-1156

0.01~20GHz 低噪声放大器 Low Noise Amplifier

—电气技术参数 Electrical Specifications—

频率范围 Frequency Range:	0.01 - 20GHz
增益 Gain:	15dB
增益平坦度 Gain Flatness:	/
噪声系数 Noise Figure:	2.5dB
输出 P_{1dB} Output P_{1dB} :	12dBm
输入驻波比 Input VSWR:	1.3:1
输出驻波比 Output VSWR:	1.3:1
直流偏置电压 DC Supply Voltage:	+5/-5V
直流偏置电流 DC Supply Current:	160mA
工作温度 Operation Temperature:	-40~+85°C
存储温度 Storage Temperature:	-50~+105°C

—机械技术参数 Mechanical Specification—

输入连接器 Input Interface:	SMA-F
输出连接器 Output Interface:	SMA-F
尺寸 Size (excluding connectors):	/
重量 Weight:	/

UNLESS OTHERWISE SPECIFIED DIMENSIONS ARE MILLIMETER TOLERANCES ARE: DECIMALS ANGLES FRACTIONS .XX±0.03 ±1' ±2/5 .XXX±0.012			莱尔微波 Laird Microwave www.lairmw.com sales@lairmw.com	P/N: LAL-1156											
	Approvals	DATE		0.01-20GHz 低噪声放大器 Low Noise Amplifier 增益 Gain 15dB, 噪声系数 NF 2.5dB											
HOLE DIAMETER .35 TO 3.20 3.21 TO 6.35 6.36 TO 12.70 12.71 TO 19.05 19.06 TO 25.40 25.41 TO 50.80	TOLERANCES +.05/-02 +.10/-03 +.15/-03 +.20/-03 +.25/-03 +.30/-03	DRWN	ENG	CHK	Q.A.										
<table border="1"> <tr> <td>SIZE</td> <td>A3</td> <td>CAGE NO</td> <td>DWG NO.</td> <td>REV</td> </tr> <tr> <td>SCALE</td> <td>3:2</td> <td>UNIT</td> <td>mm</td> <td>1</td> </tr> </table>			SIZE	A3	CAGE NO	DWG NO.	REV	SCALE	3:2	UNIT	mm	1	SHEET 1 OF 1		
SIZE	A3	CAGE NO	DWG NO.	REV											
SCALE	3:2	UNIT	mm	1											