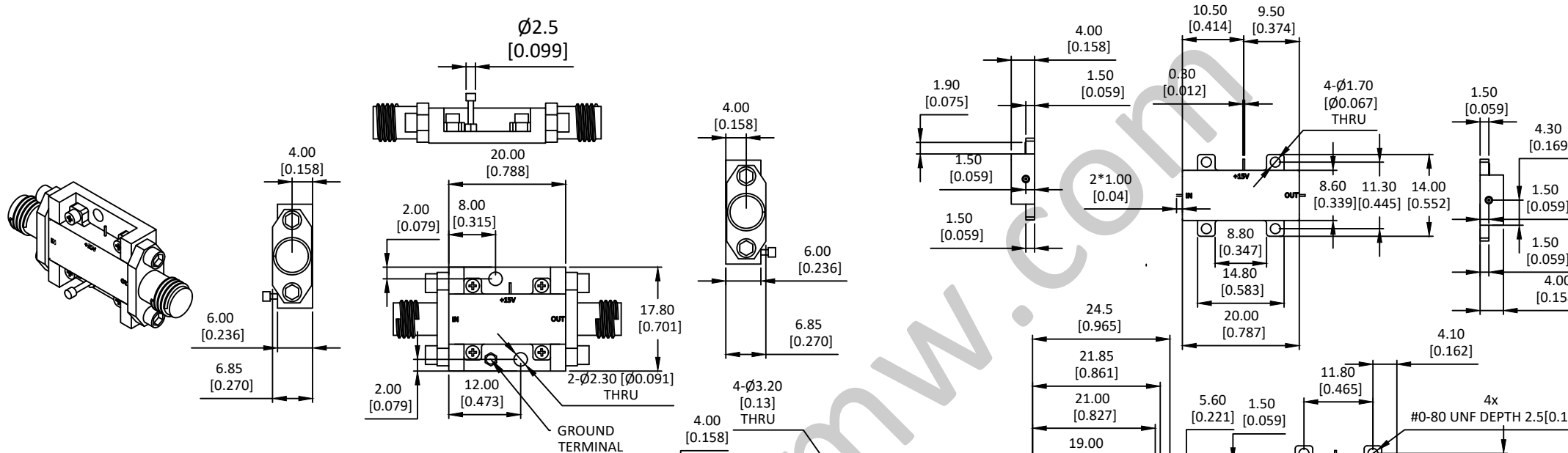


NOTES: UNLESS OTHERWISE SPECIFIED
THIS IS A CAD GENERATED DRAWING, DO NOT REVISE MANUALLY

REVISION HISTORY					
ZONE	REV	DESCRIPTION	E.C.O.NO	DATE	APPROVED
	1	ENGINEERING RELEASE			



LAL-1122

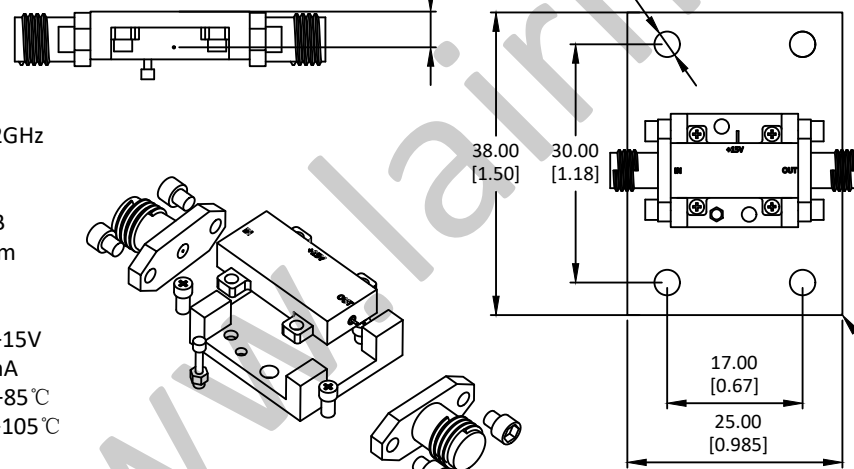
8~12GHz 低噪声放大器 Low Noise Amplifier

—电气技术参数 Electrical Specifications—

频率范围 Frequency Range:	8 - 12GHz
增益 Gain:	55dB
增益平坦度 Gain Flatness:	/
噪声系数 Noise Figure:	1.3dB
输出 P _{1dB} Output P _{1dB} :	15dBm
输入驻波比 Input VSWR:	1.5:1
输出驻波比 Output VSWR:	1.6:1
直流偏置电压 DC Supply Voltage:	+8 - +15V
直流偏置电流 DC Supply Current:	165mA
工作温度 Operation Temperature:	-40~+85°C
存储温度 Storage Temperature:	-50~+105°C

—机械技术参数 Mechanical Specification—

输入连接器 Input Interface:	SMA-F
输出连接器 Output Interface:	SMA-F
尺寸 Size (excluding connectors):	/
重量 Weight:	/



EXPLODED VIEW

USE AS A DROP-IN

Including Heat sink

UNLESS OTHERWISE SPECIFIED DIMENSIONS ARE MILLIMETER TOLERANCES ARE: DECIMALS ANGLES FRACTIONS .XX±0.03 ±1' ±2/5 .XXX±0.012						P/N: LAL-1122	
Approvals: _____ DATE: _____		DRWN: _____ ENG: _____ CHK: _____ Q.A.: _____		www.lairmw.com sales@lairmw.com		8-12GHz 低噪声放大器 Low Noise Amplifier 增益 Gain 55dB, 噪声系数 NF 1.3dB	
HOLE DIAMETER .35 TO 3.20 3.21 TO 6.35 6.36 TO 12.70 12.71 TO 19.05 19.06 TO 25.40 25.41 TO 50.80		TOLERANCES +.05/-02 +.10/-03 +.15/-03 +.20/-03 +.25/-03 +.30/-03		SIZE: A3 SCALE: 3:2		CAGE NO: UNIT: mm DWG NO.: SHEET 1 OF 1	
				REV: 1			