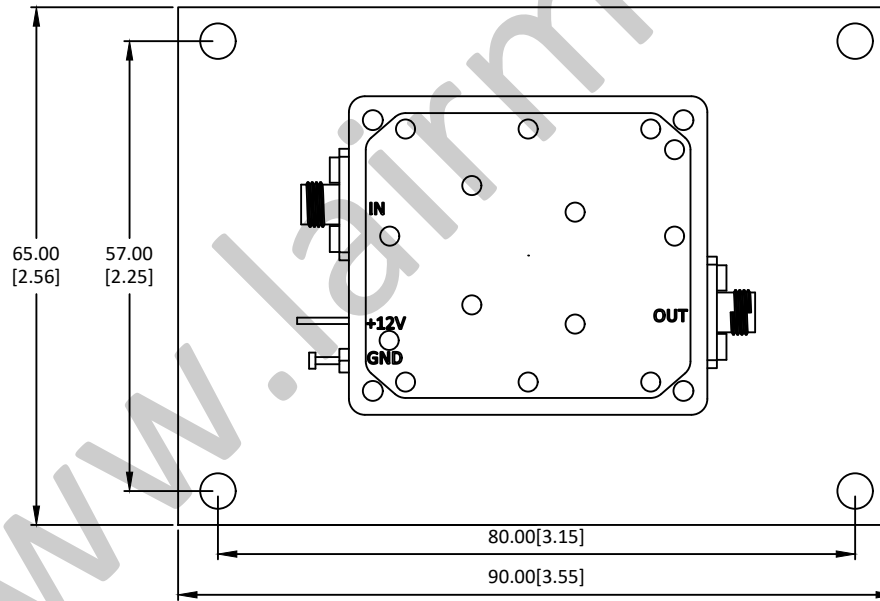
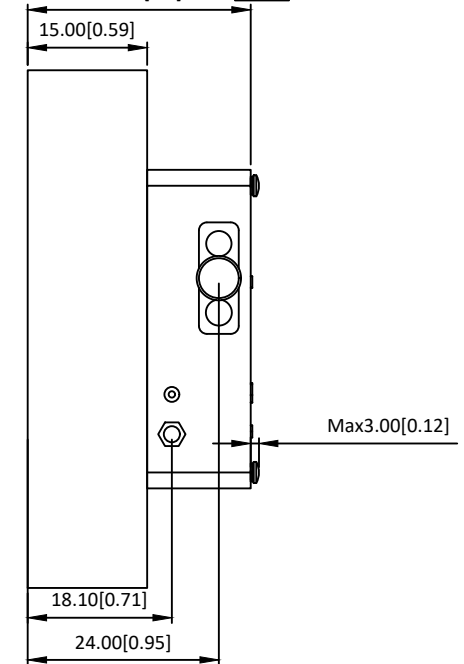
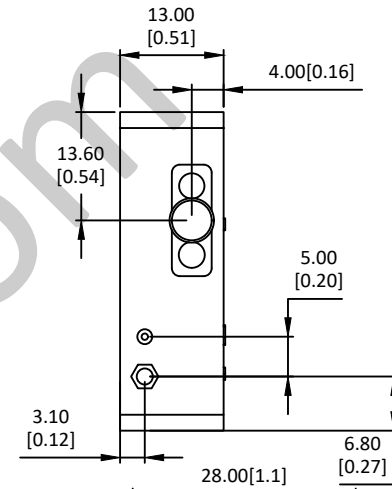
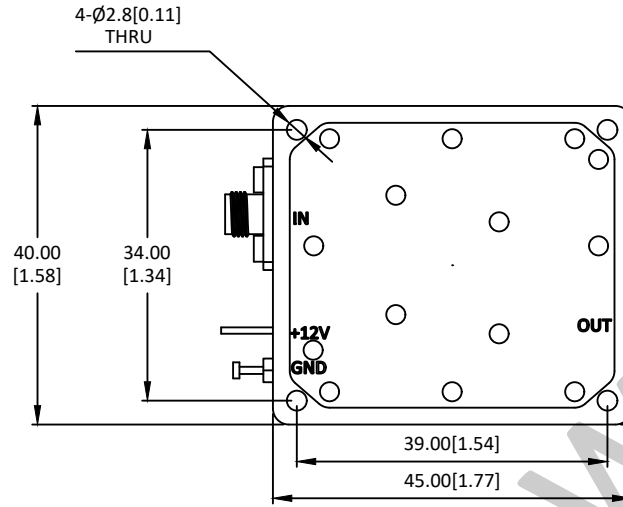
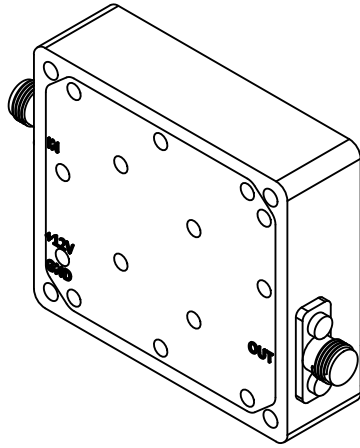


NOTES: UNLESS OTHERWISE SPECIFIED
THIS IS A CAD GENERATED DRAWING, DO NOT REVISE MANUALLY

REVISION HISTORY					
ZONE	REV	DESCRIPTION	E.C.O.NO	DATE	APPROVED
	1	ENGINEERING RELEASE			



LAL-1097

2.5~3.5GHz 低噪声放大器 Low Noise Amplifier

—电气技术参数 Electrical Specifications—

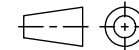
频率范围 Frequency Range:	2.5 - 3.5GHz
增益 Gain:	43dB
增益平坦度 Gain Flatness:	/
噪声系数 Noise Figure:	1.8dB
输出 P_{1dB} Output P_{1dB} :	30dBm
输入驻波比 Input VSWR:	1.9:1
输出驻波比 Output VSWR:	2.0:1
直流偏置电压 DC Supply Voltage:	+12V
直流偏置电流 DC Supply Current:	310mA
工作温度 Operation Temperature:	-40~+85°C
存储温度 Storage Temperature:	-50~+105°C

—机械技术参数 Mechanical Specification—

输入连接器 Input Interface:	SMA-F
输出连接器 Output Interface:	SMA-F
尺寸 Size (excluding connectors):	/
重量 Weight:	/

UNLESS OTHERWISE SPECIFIED
DIMENSIONS ARE MILLIMETER
TOLERANCES ARE:
DECIMALS ANGLES FRACTIONS
.X±0.1 ±1' ±2/5
.XX±0.03
.XXX±0.012

HOLE DIAMETER	TOLERANCES
.35 TO 3.20	+0.05/-0.02
3.21 TO 6.35	+0.10/-0.03
6.36 TO 12.70	+0.15/-0.03
12.71 TO 19.05	+0.20/-0.03
19.06 TO 25.40	+0.25/-0.03
25.41 TO 50.80	+0.30/-0.03



Approvals

DATE

DRWN

ENG

CHK

Q.A.



www.lairmw.com sales@lairmw.com

P/N: LAL-1097

2.5-3.5GHz 低噪声放大器 Low Noise Amplifier
增益 Gain 43dB, 噪声系数 NF 1.8dB

SIZE	CAGE NO	DWG NO.	REV
A3			1
SCALE 3:2	UNIT mm	SHEET 1 OF 1	