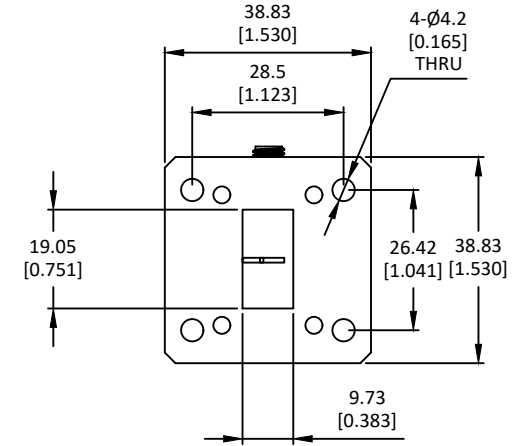
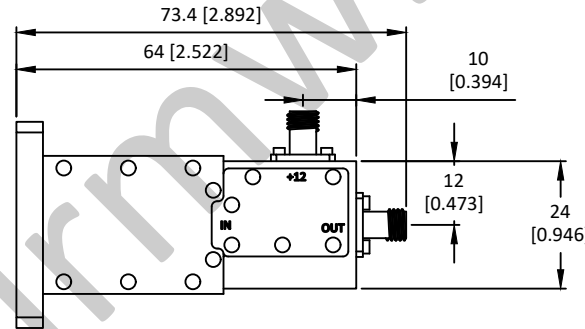
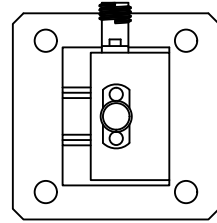
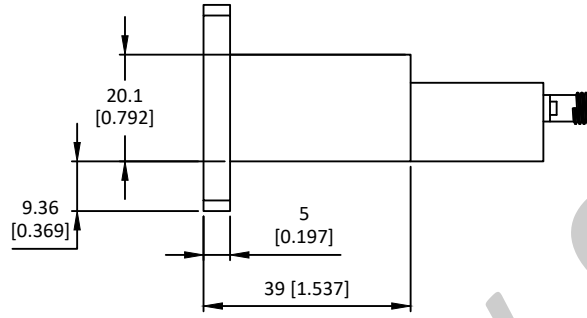
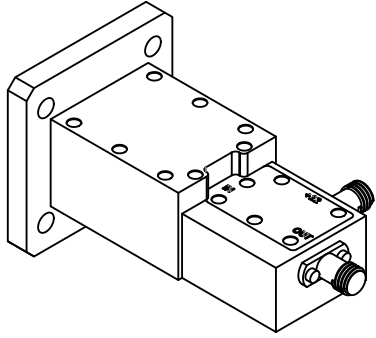


NOTES: UNLESS OTHERWISE SPECIFIED  
THIS IS A CAD GENERATED DRAWING, DO NOT REVISE MANUALLY

| REVISION HISTORY |     |                     |          |      |          |
|------------------|-----|---------------------|----------|------|----------|
| ZONE             | REV | DESCRIPTION         | E.C.O.NO | DATE | APPROVED |
|                  | 1   | ENGINEERING RELEASE |          |      |          |



## LAL-1047

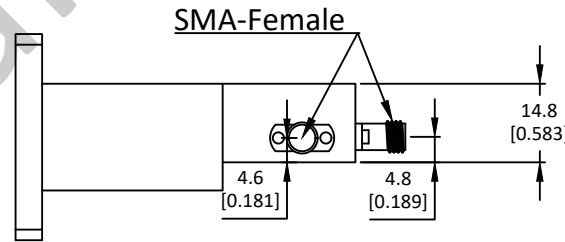
10~15GHz 低噪声放大器 Low Noise Amplifier

### —电气技术参数 Electrical Specifications—

|   |            |
|---|------------|
| 频率范围 Frequency Range:                         | 10 - 15GHz |
| 增益 Gain:                                      | 60dB       |
| 增益平坦度 Gain Flatness:                          | /          |
| 噪声系数 Noise Figure:                            | 1.7dB      |
| 输出 P <sub>1dB</sub> Output P <sub>1dB</sub> : | 16dBm      |
| 输入驻波比 Input VSWR:                             | 1.6:1      |
| 输出驻波比 Output VSWR:                            | 1.6:1      |
| 直流偏置电压 DC Supply Voltage:                     | +12V       |
| 直流偏置电流 DC Supply Current:                     | 190mA      |
| 工作温度 Operation Temperature:                   | -40~+85°C  |
| 存储温度 Storage Temperature:                     | -50~+105°C |

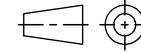
### —机械技术参数 Mechanical Specification—

|                                 |       |
|---------------------------------|-------|
| 输入连接器 Input Interface:          | WR75  |
| 输出连接器 Output Interface:         | SMA-F |
| 尺寸 Size (excluding connectors): | /     |
| 重量 Weight:                      | /     |



UNLESS OTHERWISE SPECIFIED  
DIMENSIONS ARE MILLIMETER  
TOLERANCES ARE:  
DECIMALS ANGLES FRACTIONS  
.XX±0.03 ±1° ±2/5  
.XXX±0.012

| HOLE DIAMETER  | TOLERANCES |
|----------------|------------|
| .35 TO 3.20    | +.05/- .02 |
| 3.21 TO 6.35   | +.10/- .03 |
| 6.36 TO 12.70  | +.15/- .03 |
| 12.71 TO 19.05 | +.20/- .03 |
| 19.06 TO 25.40 | +.25/- .03 |
| 25.41 TO 50.80 | +.30/- .03 |



Approvals

DATE

DRWN

ENG

CHK

Q.A.



www.lairmw.com sales@lairmw.com

P/N: LAL-1047

10-15GHz 低噪声放大器 Low Noise Amplifier  
增益 Gain 60dB, 噪声系数 NF 1.7dB

| SIZE      | CAGE NO | DWG NO.      | REV |
|-----------|---------|--------------|-----|
| A3        |         |              | 1   |
| SCALE 3:2 | UNIT mm | SHEET 1 OF 1 |     |