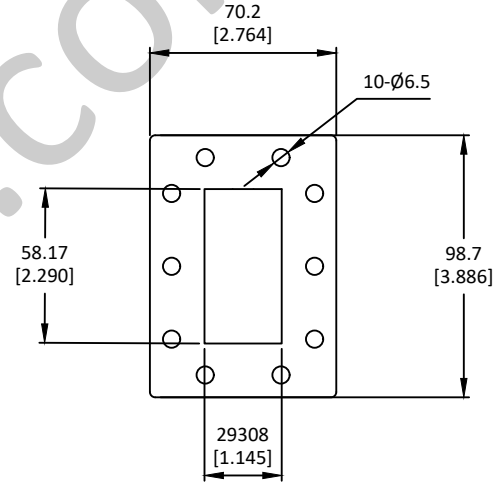
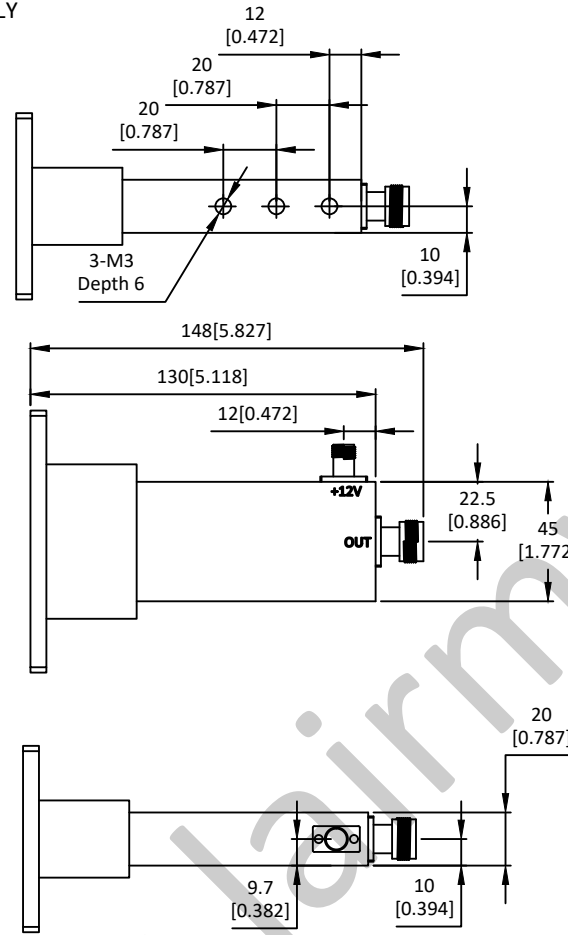
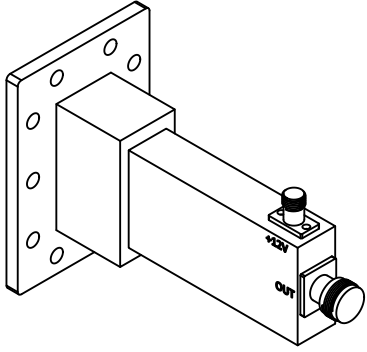


NOTES: UNLESS OTHERWISE SPECIFIED
THIS IS A CAD GENERATED DRAWING, DO NOT REVISE MANUALLY

REVISION HISTORY					
ZONE	REV	DESCRIPTION	E.C.O.NO	DATE	APPROVED
	1	ENGINEERING RELEASE			



LAL-1039

3.3~4.9GHz 低噪声放大器 Low Noise Amplifier

—电气技术参数 Electrical Specifications—

频率范围 Frequency Range:	3.3 - 4.9GHz
增益 Gain:	60dB
增益平坦度 Gain Flatness:	/
噪声系数 Noise Figure:	2.2dB
输出 P_{1dB} Output P_{1dB} :	18dBm
输入驻波比 Input VSWR:	1.5:1
输出驻波比 Output VSWR:	1.5:1
直流偏置电压 DC Supply Voltage:	+12V
直流偏置电流 DC Supply Current:	250mA
工作温度 Operation Temperature:	-40~+85 °C
存储温度 Storage Temperature:	-50~+105 °C

—机械技术参数 Mechanical Specification—

输入连接器 Input Interface:	WR229
输出连接器 Output Interface:	N-F
尺寸 Size (excluding connectors):	/
重量 Weight:	/

UNLESS OTHERWISE SPECIFIED DIMENSIONS ARE MILLIMETER TOLERANCES ARE: DECIMALS ANGLES FRACTIONS .XX±0.03 ±1' ±2/5 .XXX±0.012				 www.lairmw.com sales@lairmw.com		P/N: LAL-1039																					
<table border="1"> <tr> <td>Approvals</td> <td>DATE</td> </tr> <tr> <td>DRWN</td> <td></td> </tr> <tr> <td>ENG</td> <td></td> </tr> <tr> <td>CHK</td> <td></td> </tr> <tr> <td>Q.A.</td> <td></td> </tr> </table>		Approvals	DATE	DRWN		ENG		CHK		Q.A.		<table border="1"> <tr> <td colspan="2">3.3-4.9GHz 低噪声放大器 Low Noise Amplifier 增益 Gain 60dB, 噪声系数 NF 2.2dB</td> </tr> <tr> <td>SIZE</td> <td>REV</td> </tr> <tr> <td>A3</td> <td>1</td> </tr> </table>		3.3-4.9GHz 低噪声放大器 Low Noise Amplifier 增益 Gain 60dB, 噪声系数 NF 2.2dB		SIZE	REV	A3	1	<table border="1"> <tr> <td>CAGE NO.</td> <td>DWG NO.</td> </tr> <tr> <td>SCALE</td> <td>SHEET</td> </tr> <tr> <td>3:2</td> <td>1 OF 1</td> </tr> </table>		CAGE NO.	DWG NO.	SCALE	SHEET	3:2	1 OF 1
Approvals	DATE																										
DRWN																											
ENG																											
CHK																											
Q.A.																											
3.3-4.9GHz 低噪声放大器 Low Noise Amplifier 增益 Gain 60dB, 噪声系数 NF 2.2dB																											
SIZE	REV																										
A3	1																										
CAGE NO.	DWG NO.																										
SCALE	SHEET																										
3:2	1 OF 1																										
<table border="1"> <tr> <td>HOLE DIAMETER</td> <td>TOLERANCES</td> </tr> <tr> <td>.35 TO 3.20</td> <td>+.05/-02</td> </tr> <tr> <td>3.21 TO 6.35</td> <td>+.10/-03</td> </tr> <tr> <td>6.36 TO 12.70</td> <td>+.15/-03</td> </tr> <tr> <td>12.71 TO 19.05</td> <td>+.20/-03</td> </tr> <tr> <td>19.06 TO 25.40</td> <td>+.25/-03</td> </tr> <tr> <td>25.41 TO 50.80</td> <td>+.30/-03</td> </tr> </table>		HOLE DIAMETER	TOLERANCES	.35 TO 3.20	+.05/-02	3.21 TO 6.35	+.10/-03	6.36 TO 12.70	+.15/-03	12.71 TO 19.05	+.20/-03	19.06 TO 25.40	+.25/-03	25.41 TO 50.80	+.30/-03												
HOLE DIAMETER	TOLERANCES																										
.35 TO 3.20	+.05/-02																										
3.21 TO 6.35	+.10/-03																										
6.36 TO 12.70	+.15/-03																										
12.71 TO 19.05	+.20/-03																										
19.06 TO 25.40	+.25/-03																										
25.41 TO 50.80	+.30/-03																										