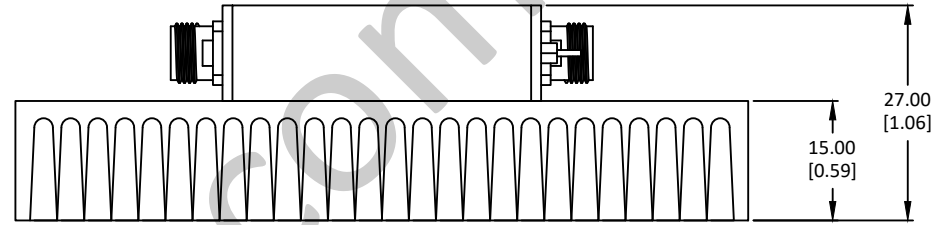
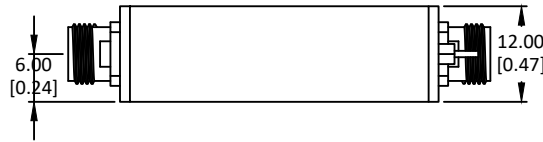
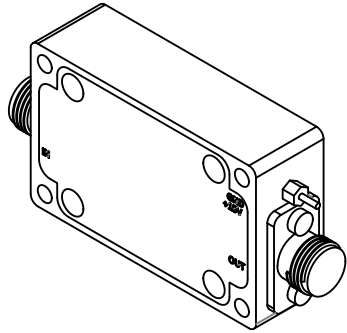


NOTES: UNLESS OTHERWISE SPECIFIED
THIS IS A CAD GENERATED DRAWING, DO NOT REVISE MANUALLY

| REVISION HISTORY | | | | | |
|------------------|-----|---------------------|----------|------|----------|
| ZONE | REV | DESCRIPTION | E.C.O.NO | DATE | APPROVED |
| | 1 | ENGINEERING RELEASE | | | |



LAL-1028

1.1~1.7GHz 低噪声放大器 Low Noise Amplifier

—电气技术参数 Electrical Specifications—

频率范围 Frequency Range:

增益 Gain:

增益平坦度 Gain Flatness:

噪声系数 Noise Figure:

输出 P_{1dB} Output P_{1dB} :

输入驻波比 Input VSWR:

输出驻波比 Output VSWR:

直流偏置电压 DC Supply Voltage:

直流偏置电流 DC Supply Current:

工作温度 Operation Temperature:

存储温度 Storage Temperature:

1.1 - 1.7GHz

34dB

/

1.3dB

20dBm

1.5:1

1.6:1

+12V

190mA

-40~+85°C

-50~+105°C

—机械技术参数 Mechanical Specification—

输入连接器 Input Interface:

输出连接器 Output Interface:

尺寸 Size (excluding connectors):

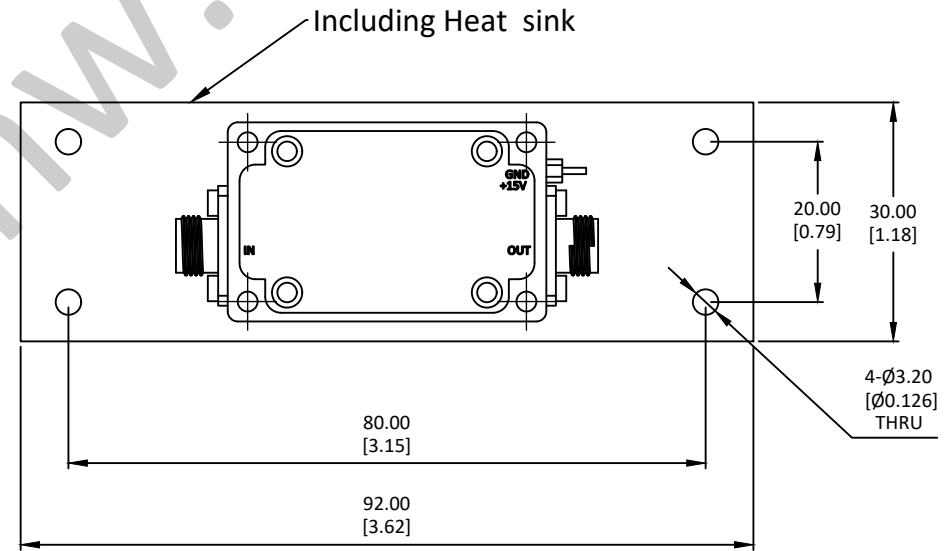
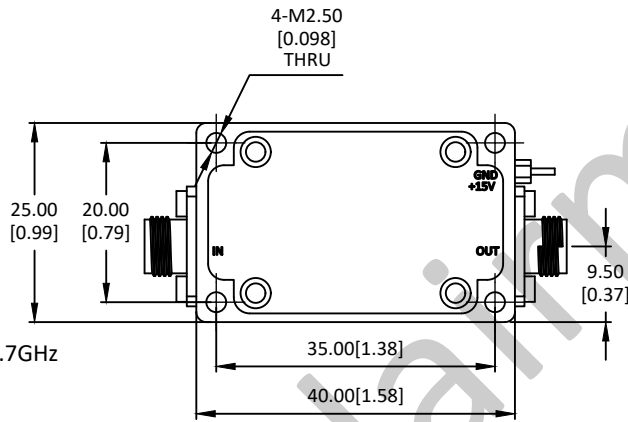
重量 Weight:

SMA-F

SMA-F

/

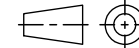
/



UNLESS OTHERWISE SPECIFIED
DIMENSIONS ARE MILLIMETER
TOLERANCES ARE:
DECIMALS ANGLES FRACTIONS
.X±0.1 ±1° ±2/5
.XX±0.03
.XXX±0.012

HOLE DIAMETER
.35 TO 3.20
3.21 TO 6.35
6.36 TO 12.70
12.71 TO 19.05
19.06 TO 25.40
25.41 TO 50.80

TOLERANCES
+.05/-02
+.10/-03
+.15/-03
+.20/-03
+.25/-03
+.30/-03



Approvals

DATE

DRWN

ENG

CHK

Q.A.



www.lairmw.com sales@lairmw.com

P/N: LAL-1028

1.1-1.7GHz 低噪声放大器 Low Noise Amplifier
增益 Gain 34dB, 噪声系数 NF 1.3dB

SIZE
A3

CAGE NO

DWG NO.

REV
1

SCALE
3:2

UNIT
mm

SHEET 1 OF 1