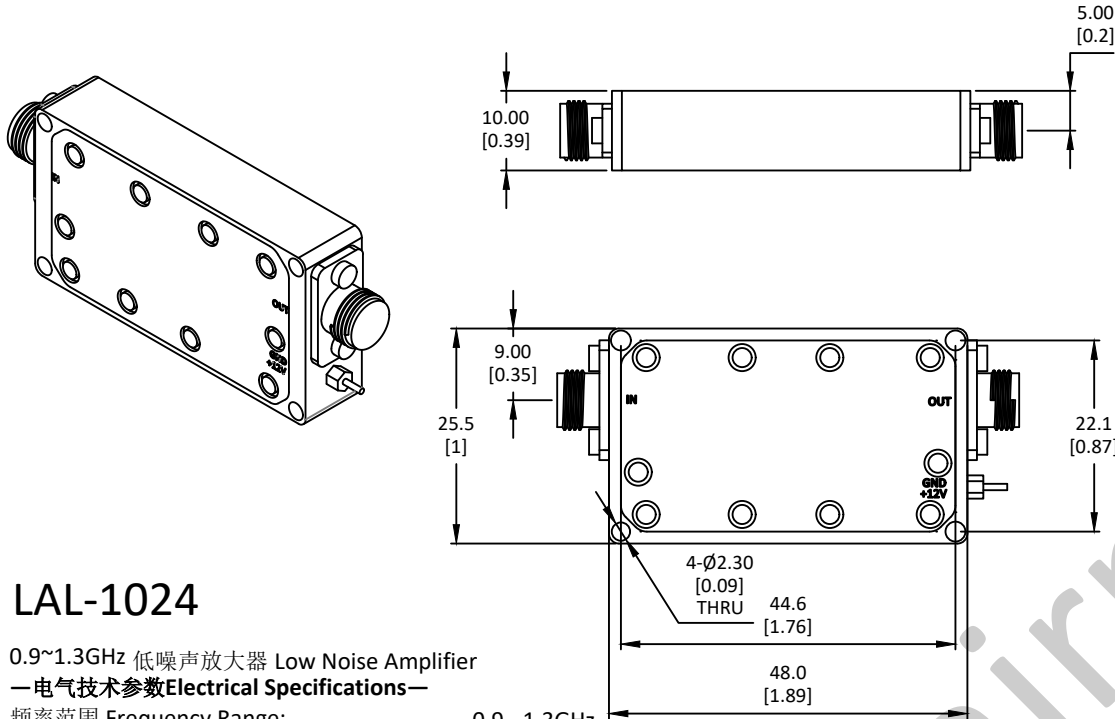


NOTES: UNLESS OTHERWISE SPECIFIED
THIS IS A CAD GENERATED DRAWING, DO NOT REVISE MANUALLY

REVISION HISTORY					
ZONE	REV	DESCRIPTION	E.C.O.NO	DATE	APPROVED
	1	ENGINEERING RELEASE			



LAL-1024

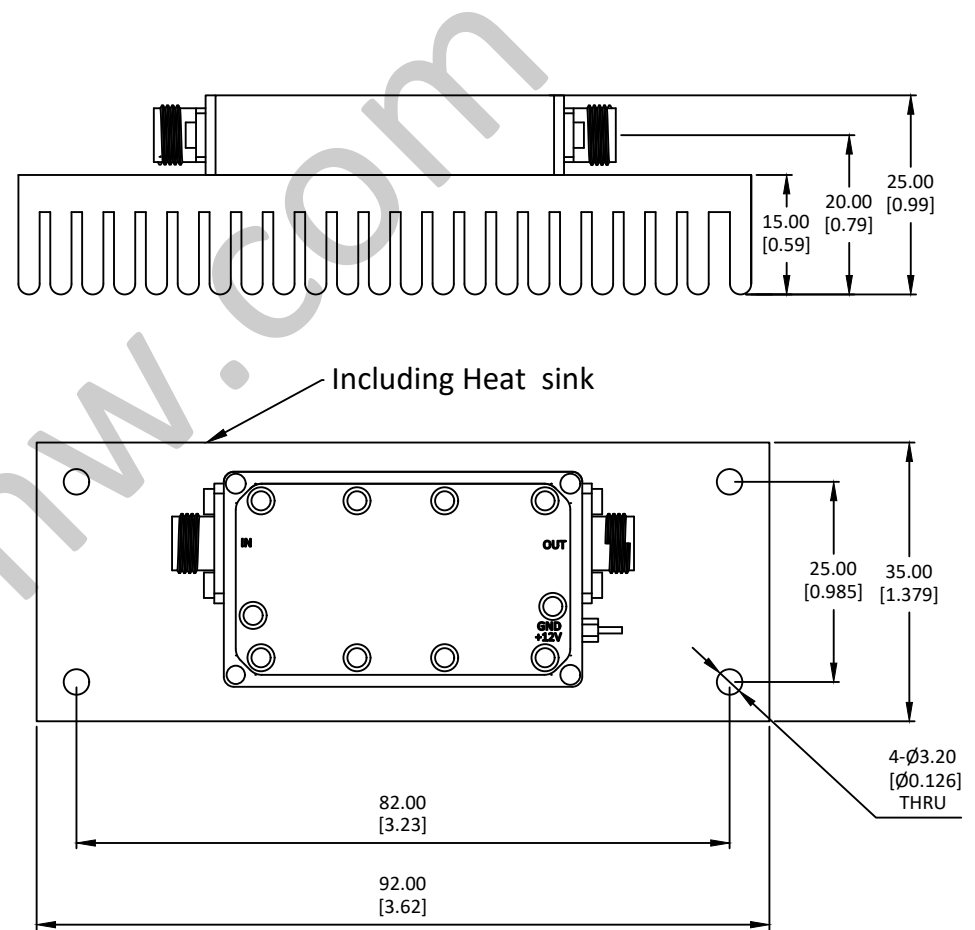
0.9~1.3GHz 低噪声放大器 Low Noise Amplifier

—电气技术参数 Electrical Specifications—

频率范围 Frequency Range:	0.9 - 1.3GHz
增益 Gain:	39dB
增益平坦度 Gain Flatness:	/
噪声系数 Noise Figure:	1.2dB
输出 P _{1dB} Output P _{1dB} :	26dBm
输入驻波比 Input VSWR:	1.8:1
输出驻波比 Output VSWR:	1.8:1
直流偏置电压 DC Supply Voltage:	+12V
直流偏置电流 DC Supply Current:	210mA
工作温度 Operation Temperature:	-40~+85 °C
存储温度 Storage Temperature:	-50~+105 °C

—机械技术参数 Mechanical Specification—

输入连接器 Input Interface:	SMA-F
输出连接器 Output Interface:	SMA-F
尺寸 Size (excluding connectors):	/
重量 Weight:	/



UNLESS OTHERWISE SPECIFIED DIMENSIONS ARE MILLIMETER TOLERANCES ARE: DECIMALS ANGLES FRACTIONS .XX±0.03 ±1' ±2/5 .XXX±0.012				 www.lairmw.com sales@lairmw.com		P/N: LAL-1024																													
<table border="1"> <tr> <td>Approvals</td> <td>DATE</td> </tr> <tr> <td>DRWN</td> <td></td> </tr> <tr> <td>ENG</td> <td></td> </tr> <tr> <td>CHK</td> <td></td> </tr> <tr> <td>Q.A.</td> <td></td> </tr> </table>		Approvals	DATE	DRWN		ENG		CHK		Q.A.		<p>0.9-1.3GHz 低噪声放大器 Low Noise Amplifier 增益 Gain 39dB, 噪声系数 NF 1.2dB</p>																							
Approvals	DATE																																		
DRWN																																			
ENG																																			
CHK																																			
Q.A.																																			
<table border="1"> <tr> <td>HOLE DIAMETER</td> <td>TOLERANCES</td> </tr> <tr> <td>.35 TO 3.20</td> <td>+.05/-02</td> </tr> <tr> <td>3.21 TO 6.35</td> <td>+.10/-03</td> </tr> <tr> <td>6.36 TO 12.70</td> <td>+.15/-03</td> </tr> <tr> <td>12.71 TO 19.05</td> <td>+.20/-03</td> </tr> <tr> <td>19.06 TO 25.40</td> <td>+.25/-03</td> </tr> <tr> <td>25.41 TO 50.80</td> <td>+.30/-03</td> </tr> </table>		HOLE DIAMETER	TOLERANCES	.35 TO 3.20	+.05/-02	3.21 TO 6.35	+.10/-03	6.36 TO 12.70	+.15/-03	12.71 TO 19.05	+.20/-03	19.06 TO 25.40	+.25/-03	25.41 TO 50.80	+.30/-03	<table border="1"> <tr> <td>SIZE</td> <td>CAGE NO</td> <td>DWG NO.</td> <td>REV</td> </tr> <tr> <td>A3</td> <td></td> <td></td> <td>1</td> </tr> </table>		SIZE	CAGE NO	DWG NO.	REV	A3			1	<table border="1"> <tr> <td>SCALE</td> <td>UNIT</td> <td colspan="2">SHEET 1 OF 1</td> </tr> <tr> <td>3:2</td> <td>mm</td> <td colspan="2"></td> </tr> </table>		SCALE	UNIT	SHEET 1 OF 1		3:2	mm		
HOLE DIAMETER	TOLERANCES																																		
.35 TO 3.20	+.05/-02																																		
3.21 TO 6.35	+.10/-03																																		
6.36 TO 12.70	+.15/-03																																		
12.71 TO 19.05	+.20/-03																																		
19.06 TO 25.40	+.25/-03																																		
25.41 TO 50.80	+.30/-03																																		
SIZE	CAGE NO	DWG NO.	REV																																
A3			1																																
SCALE	UNIT	SHEET 1 OF 1																																	
3:2	mm																																		