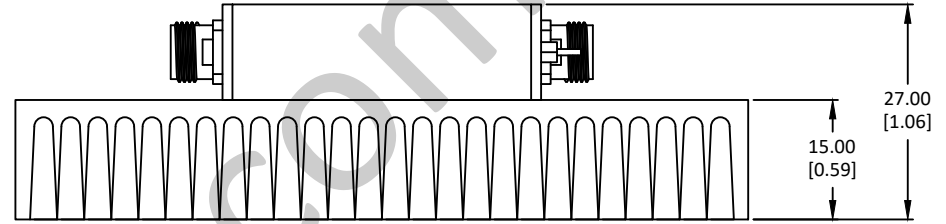
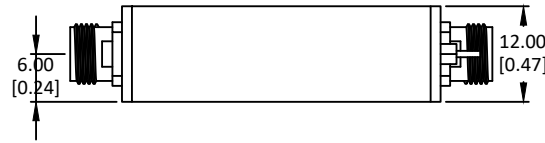
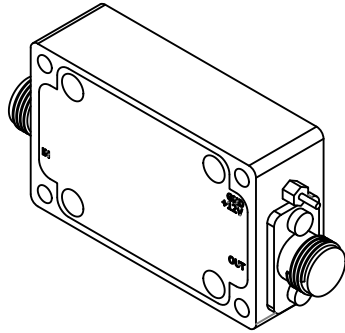


NOTES: UNLESS OTHERWISE SPECIFIED
THIS IS A CAD GENERATED DRAWING, DO NOT REVISE MANUALLY

| REVISION HISTORY | | | | | |
|------------------|-----|---------------------|----------|------|----------|
| ZONE | REV | DESCRIPTION | E.C.O.NO | DATE | APPROVED |
| | 1 | ENGINEERING RELEASE | | | |



LAL-1023

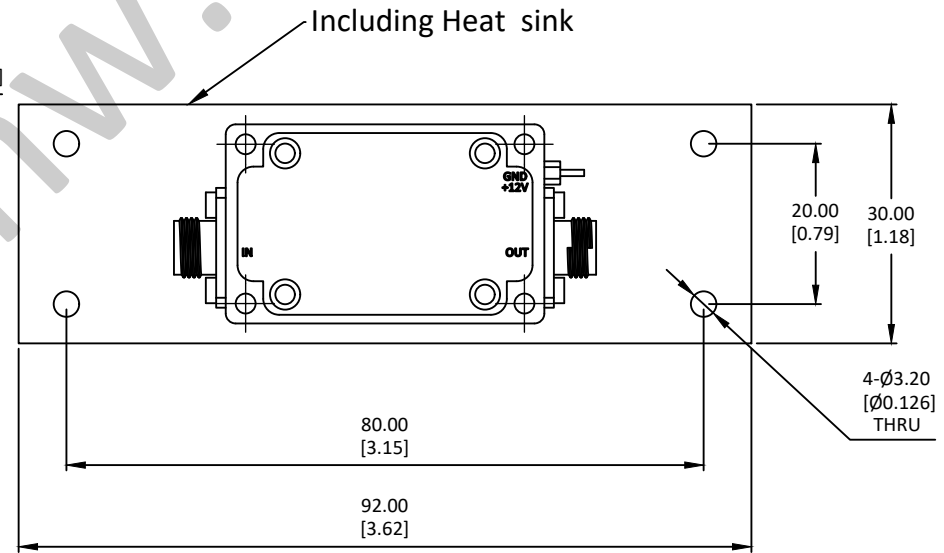
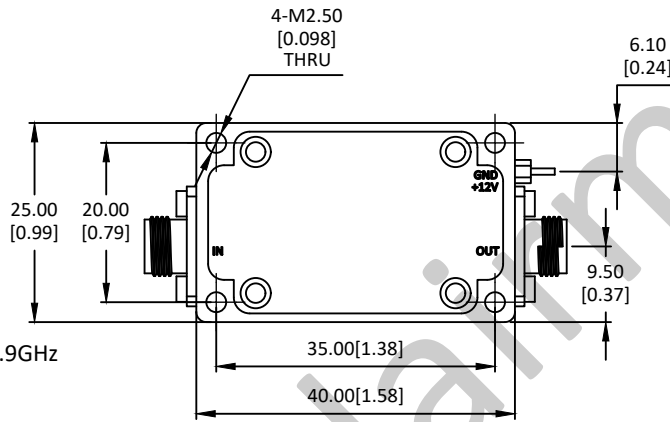
0.8~0.9GHz 低噪声放大器 Low Noise Amplifier

—电气技术参数 Electrical Specifications—

| | |
|---------------------------------|--------------|
| 频率范围 Frequency Range: | 0.8 - 0.9GHz |
| 增益 Gain: | 41dB |
| 增益平坦度 Gain Flatness: | / |
| 噪声系数 Noise Figure: | 1.0dB |
| 输出 P_{1dB} Output P_{1dB} : | 22dBm |
| 输入驻波比 Input VSWR: | 1.5:1 |
| 输出驻波比 Output VSWR: | 1.5:1 |
| 直流偏置电压 DC Supply Voltage: | +12V |
| 直流偏置电流 DC Supply Current: | 230mA |
| 工作温度 Operation Temperature: | -40~+85 °C |
| 存储温度 Storage Temperature: | -50~+105 °C |

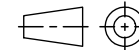
—机械技术参数 Mechanical Specification—

| | |
|---------------------------------|-------|
| 输入连接器 Input Interface: | SMA-F |
| 输出连接器 Output Interface: | SMA-F |
| 尺寸 Size (excluding connectors): | / |
| 重量 Weight: | / |



UNLESS OTHERWISE SPECIFIED
DIMENSIONS ARE MILLIMETER
TOLERANCES ARE:
DECIMALS ANGLES FRACTIONS
.XX±0.03 ±1' ±2/5
.XXX±0.012

| HOLE DIAMETER | TOLERANCES |
|----------------|------------|
| .35 TO 3.20 | +.05/-02 |
| 3.21 TO 6.35 | +.10/-03 |
| 6.36 TO 12.70 | +.15/-03 |
| 12.71 TO 19.05 | +.20/-03 |
| 19.06 TO 25.40 | +.25/-03 |
| 25.41 TO 50.80 | +.30/-03 |



Approvals

DATE

DRWN

ENG

CHK

Q.A.



www.lairmw.com sales@lairmw.com

P/N: LAL-1023

0.8-0.9GHz 低噪声放大器 Low Noise Amplifier
增益 Gain 41dB, 噪声系数 NF 1.0dB

| | | | |
|-------|---------|--------------|-----|
| SIZE | CAGE NO | DWG NO. | REV |
| A3 | | | 1 |
| SCALE | UNIT | SHEET 1 OF 1 | |
| 3:2 | mm | | |