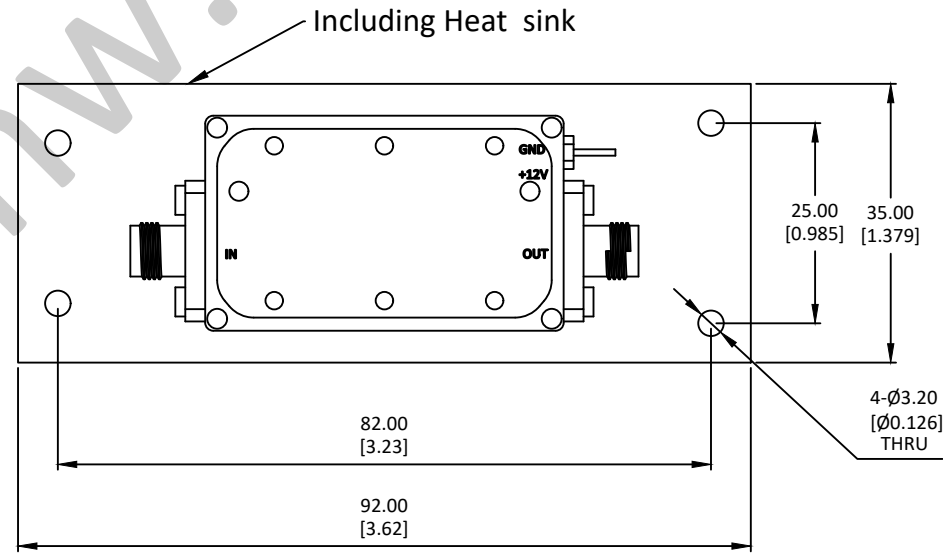
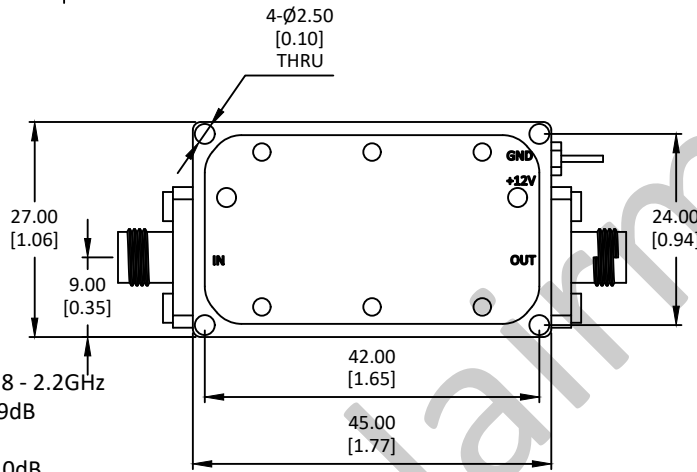
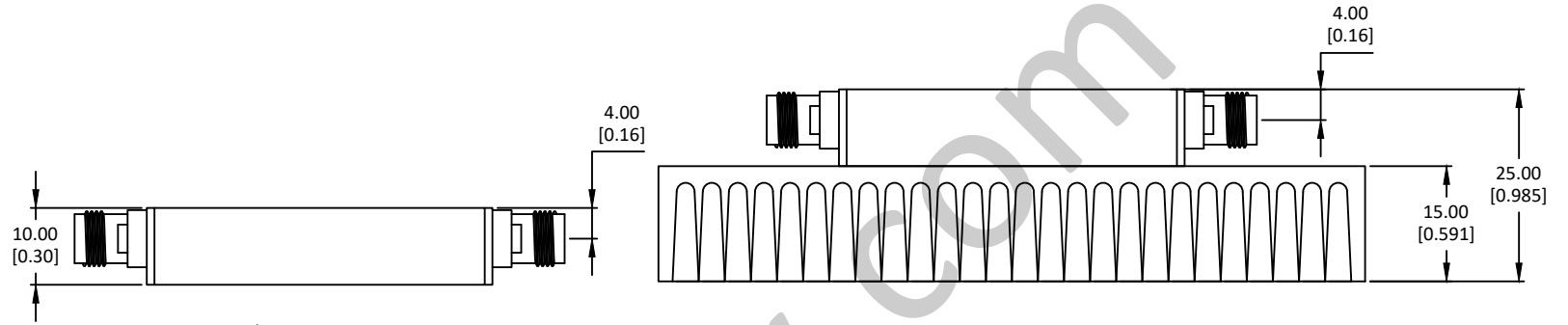
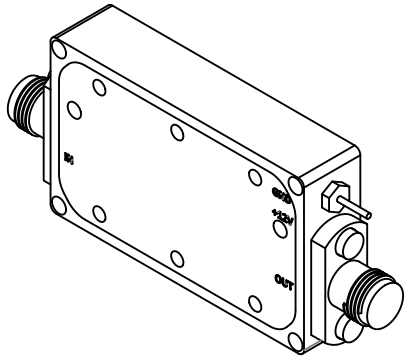


NOTES: UNLESS OTHERWISE SPECIFIED
THIS IS A CAD GENERATED DRAWING, DO NOT REVISE MANUALLY

REVISION HISTORY					
ZONE	REV	DESCRIPTION	E.C.O.NO	DATE	APPROVED
	1	ENGINEERING RELEASE			



LAL-1020

0.8~2.2GHz 低噪声放大器 Low Noise Amplifier

—电气技术参数 Electrical Specifications—

频率范围 Frequency Range:

增益 Gain:

增益平坦度 Gain Flatness:

噪声系数 Noise Figure:

输出 P_{1dB} Output P_{1dB} :

输入驻波比 Input VSWR:

输出驻波比 Output VSWR:

直流偏置电压 DC Supply Voltage:

直流偏置电流 DC Supply Current:

工作温度 Operation Temperature:

存储温度 Storage Temperature:

0.8 - 2.2GHz
49dB
/
1.0dB
20dBm
1.6:1
1.5:1
+12V
240mA
-40~+85°C
-50~+105°C

—机械技术参数 Mechanical Specification—

输入连接器 Input Interface:

输出连接器 Output Interface:

尺寸 Size (excluding connectors):

重量 Weight:

SMA-F
SMA-F
/
/

UNLESS OTHERWISE SPECIFIED DIMENSIONS ARE MILLIMETER TOLERANCES ARE: DECIMALS ANGLES FRACTIONS .XX±0.03 ±1' ±2/5 .XXX±0.012				 www.lairmw.com sales@lairmw.com		P/N: LAL-1020	
HOLE DIAMETER .35 TO 3.20 3.21 TO 6.35 6.36 TO 12.70 12.71 TO 19.05 19.06 TO 25.40 25.41 TO 50.80		TOLERANCES +.05/-02 +.10/-03 +.15/-03 +.20/-03 +.25/-03 +.30/-03		Approvals DATE		0.8-2.2GHz 低噪声放大器 Low Noise Amplifier 增益 Gain 49dB, 噪声系数 NF 1.0dB	
DRWN		ENG		CHK		Q.A.	
SCALE 3:2		CAGE NO		DWG NO.		REV 1	
UNIT mm		SHEET 1 OF 1					