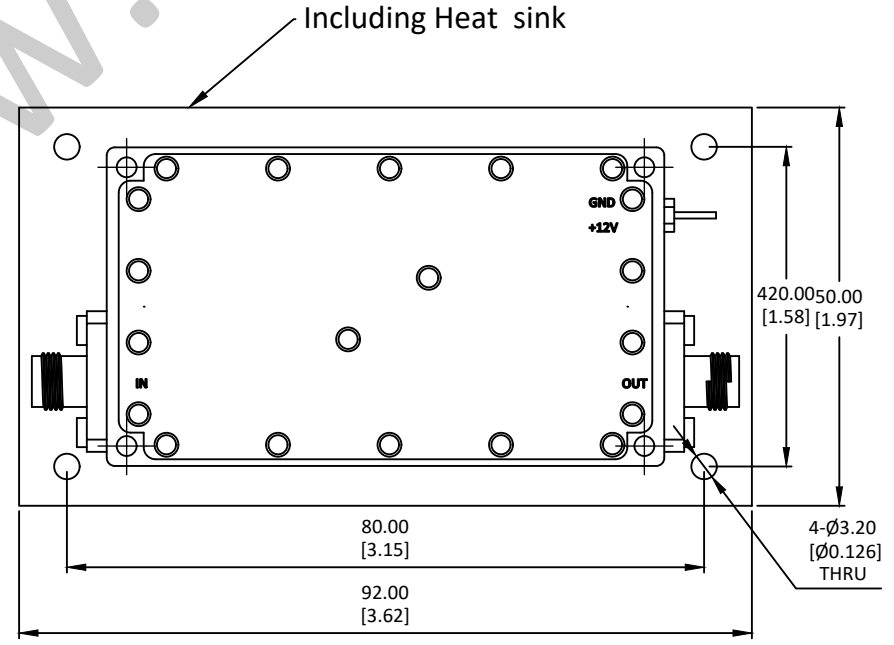
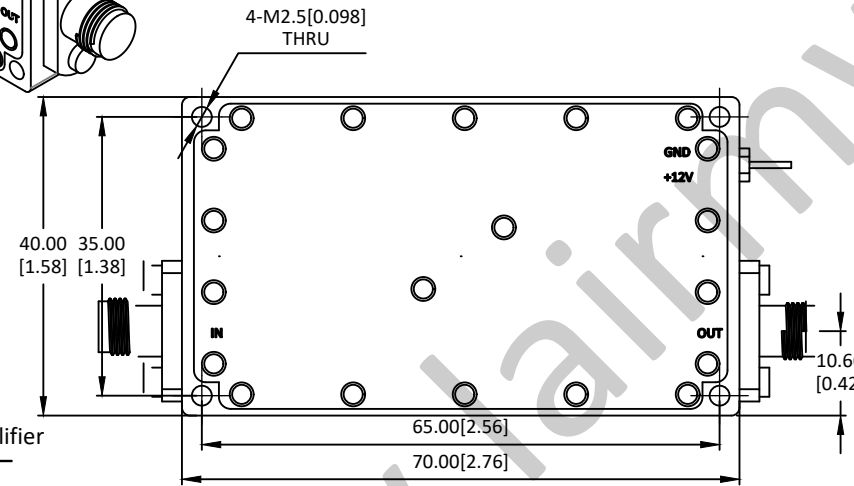
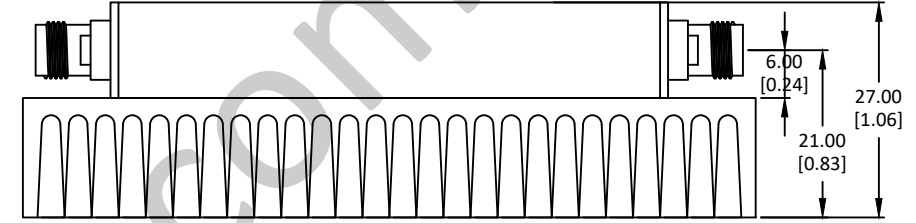
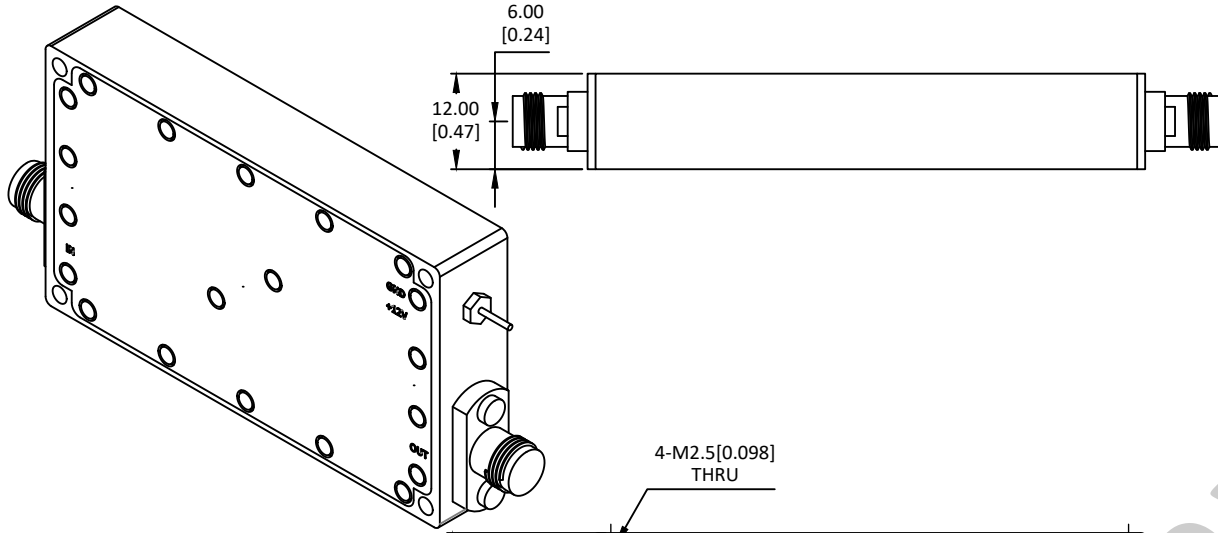


NOTES: UNLESS OTHERWISE SPECIFIED
THIS IS A CAD GENERATED DRAWING, DO NOT REVISE MANUALLY

REVISION HISTORY					
ZONE	REV	DESCRIPTION	E.C.O.NO	DATE	APPROVED
	1	ENGINEERING RELEASE			



LAL-1014

0.5~4GHz 低噪声放大器 Low Noise Amplifier

—电气技术参数 Electrical Specifications—

频率范围 Frequency Range:	0.5 - 4GHz
增益 Gain:	45dB
增益平坦度 Gain Flatness:	/
噪声系数 Noise Figure:	0.8dB
输出 P _{1dB} Output P _{1dB} :	26dBm
输入驻波比 Input VSWR:	2.0:1
输出驻波比 Output VSWR:	1.2:1
直流偏置电压 DC Supply Voltage:	+12V
直流偏置电流 DC Supply Current:	300mA
工作温度 Operation Temperature:	-40~+85°C
存储温度 Storage Temperature:	-50~+105°C

—机械技术参数 Mechanical Specification—

输入连接器 Input Interface:	SMA-F
输出连接器 Output Interface:	SMA-F
尺寸 Size (excluding connectors):	/
重量 Weight:	/

UNLESS OTHERWISE SPECIFIED DIMENSIONS ARE MILLIMETER TOLERANCES ARE: DECIMALS ANGLES FRACTIONS .XX±0.03 ±1' ±2/5 .XXX±0.012						P/N: LAL-1014																					
HOLE DIAMETER .35 TO 3.20 3.21 TO 6.35 6.36 TO 12.70 12.71 TO 19.05 19.06 TO 25.40 25.41 TO 50.80		TOLERANCES +.05/-02 +.10/-03 +.15/-03 +.20/-03 +.25/-03 +.30/-03		<table border="1"> <tr> <th>Approvals</th> <th>DATE</th> </tr> <tr> <td>DRWN</td> <td></td> </tr> <tr> <td>ENG</td> <td></td> </tr> <tr> <td>CHK</td> <td></td> </tr> <tr> <td>Q.A.</td> <td></td> </tr> </table>		Approvals	DATE	DRWN		ENG		CHK		Q.A.		<table border="1"> <tr> <td colspan="2">0.5-4GHz 低噪声放大器 Low Noise Amplifier 增益 Gain 45dB, 噪声系数 NF 0.8dB</td> </tr> <tr> <td>SIZE A3</td> <td>CAGE NO</td> <td>DWG NO.</td> <td>REV 1</td> </tr> <tr> <td>SCALE 3:2</td> <td>UNIT mm</td> <td colspan="2">SHEET 1 OF 1</td> </tr> </table>		0.5-4GHz 低噪声放大器 Low Noise Amplifier 增益 Gain 45dB, 噪声系数 NF 0.8dB		SIZE A3	CAGE NO	DWG NO.	REV 1	SCALE 3:2	UNIT mm	SHEET 1 OF 1	
Approvals	DATE																										
DRWN																											
ENG																											
CHK																											
Q.A.																											
0.5-4GHz 低噪声放大器 Low Noise Amplifier 增益 Gain 45dB, 噪声系数 NF 0.8dB																											
SIZE A3	CAGE NO	DWG NO.	REV 1																								
SCALE 3:2	UNIT mm	SHEET 1 OF 1																									