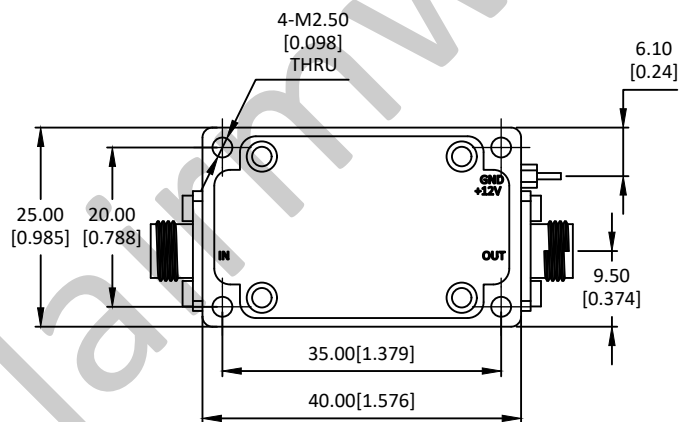
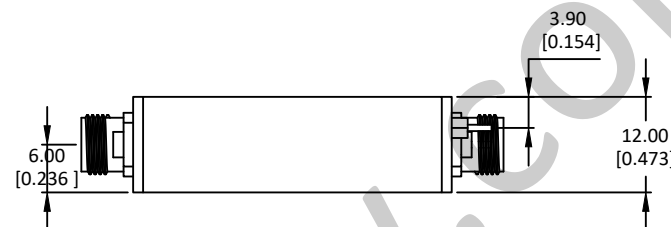
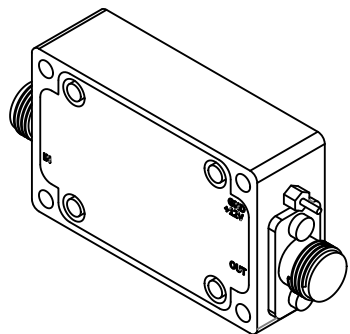


NOTES: UNLESS OTHERWISE SPECIFIED  
THIS IS A CAD GENERATED DRAWING, DO NOT REVISE MANUALLY

REVISION HISTORY					
ZONE	REV	DESCRIPTION	E.C.O.NO	DATE	APPROVED
	1	ENGINEERING RELEASE			



## LAL-1006

0.15~0.5GHz 低噪声放大器 Low Noise Amplifier

### —电气技术参数 Electrical Specifications—

频率范围 Frequency Range:	0.15 - 0.5GHz
增益 Gain:	26dB
增益平坦度 Gain Flatness:	/
噪声系数 Noise Figure:	0.7dB
输出 $P_{1dB}$ Output $P_{1dB}$ :	22dBm
输入驻波比 Input VSWR:	1.3:1
输出驻波比 Output VSWR:	1.4:1
直流偏置电压 DC Supply Voltage:	+12V
直流偏置电流 DC Supply Current:	115mA
工作温度 Operation Temperature:	-40~+85°C
存储温度 Storage Temperature:	-50~+105°C

### —机械技术参数 Mechanical Specification—

输入连接器 Input Interface:	SMA-F
输出连接器 Output Interface:	SMA-F
尺寸 Size (excluding connectors):	/
重量 Weight:	/

UNLESS OTHERWISE SPECIFIED DIMENSIONS ARE MILLIMETER TOLERANCES ARE: DECIMALS ANGLES FRACTIONS .XX±0.03 ±1° ±2/5 .XXX±0.012				 www.lairmw.com sales@lairmw.com		P/N: LAL-1006	
HOLE DIAMETER .35 TO 3.20 3.21 TO 6.35 6.36 TO 12.70 12.71 TO 19.05 19.06 TO 25.40 25.41 TO 50.80		TOLERANCES +.05/-02 +.10/-03 +.15/-03 +.20/-03 +.25/-03 +.30/-03		Approvals DRWN ENG CHK Q.A.		DATE 0.15-0.5GHz 低噪声放大器 Low Noise Amplifier 增益 Gain 26dB, 噪声系数 NF 0.7dB	
				SIZE A3	CAGE NO	DWG NO.	REV 1
				SCALE 3:2	UNIT mm	SHEET 1 OF 1	