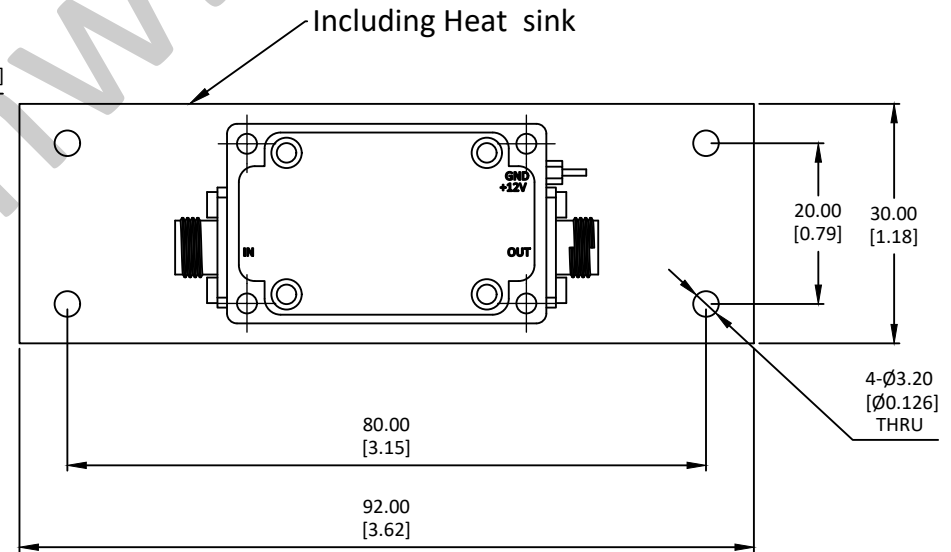
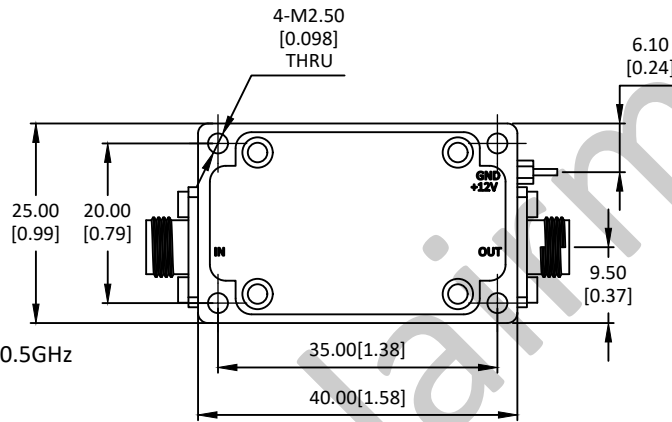
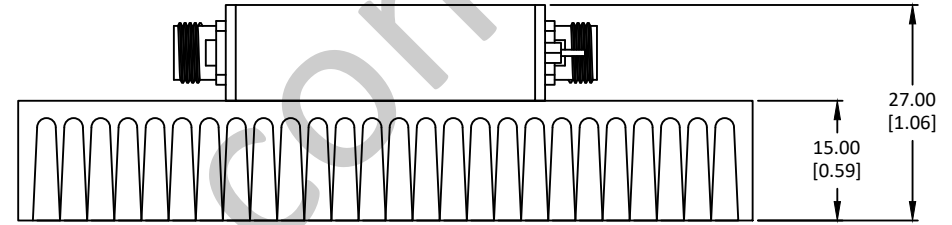
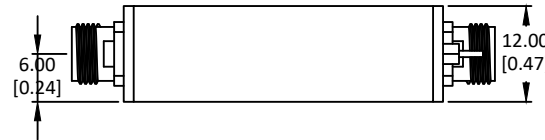
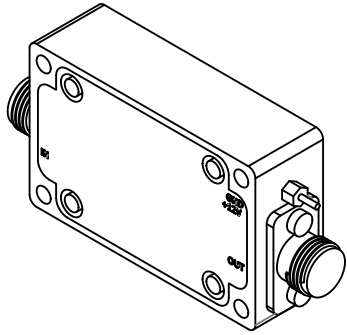


NOTES: UNLESS OTHERWISE SPECIFIED
THIS IS A CAD GENERATED DRAWING, DO NOT REVISE MANUALLY

REVISION HISTORY					
ZONE	REV	DESCRIPTION	E.C.O.NO	DATE	APPROVED
	1	ENGINEERING RELEASE			



LAL-1005

0.15~0.5GHz 低噪声放大器 Low Noise Amplifier

—电气技术参数 Electrical Specifications—

频率范围 Frequency Range:	0.15 - 0.5GHz
增益 Gain:	26dB
增益平坦度 Gain Flatness:	/
噪声系数 Noise Figure:	0.7dB
输出 P _{1dB} Output P _{1dB} :	22dBm
输入驻波比 Input VSWR:	1.3:1
输出驻波比 Output VSWR:	1.4:1
直流偏置电压 DC Supply Voltage:	+28V
直流偏置电流 DC Supply Current:	115mA
工作温度 Operation Temperature:	-40~+85°C
存储温度 Storage Temperature:	-50~+105°C

—机械技术参数 Mechanical Specification—

输入连接器 Input Interface:	SMA-F
输出连接器 Output Interface:	SMA-F
尺寸 Size (excluding connectors):	/
重量 Weight:	/

UNLESS OTHERWISE SPECIFIED DIMENSIONS ARE MILLIMETER TOLERANCES ARE: DECIMALS ANGLES FRACTIONS .XX±0.03 ±1° ±2/5 XXX±0.012						 www.lairmw.com sales@lairmw.com		P/N: LAL-1005		
APPROVALS DRWN ENG CHK Q.A.		DATE DATE		0.15-0.5GHz 低噪声放大器 Low Noise Amplifier 增益 Gain 26dB, 噪声系数 NF 0.7dB						
HOLE DIAMETER .35 TO 3.20 3.21 TO 6.35 6.36 TO 12.70 12.71 TO 19.05 19.06 TO 25.40 25.41 TO 50.80		TOLERANCES +.05/- .02 +.10/- .03 +.15/- .03 +.20/- .03 +.25/- .03 +.30/- .03		SIZE A3		CAGE NO		DWG NO.		REV 1
SCALE 3:2		UNIT mm		SHEET 1 OF 1						