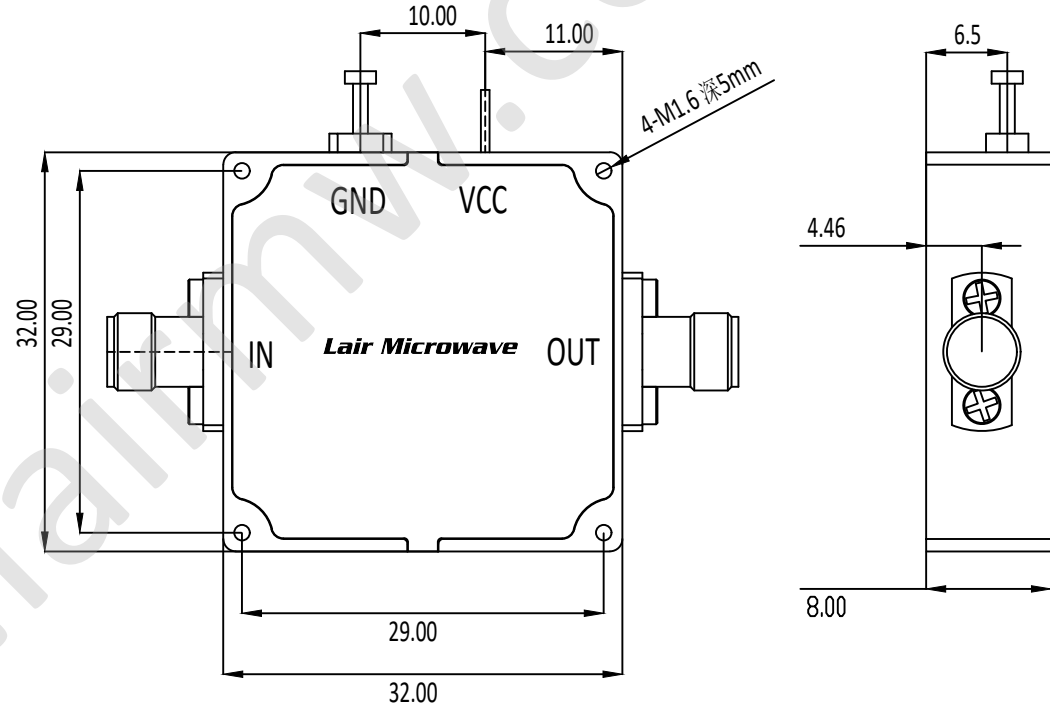
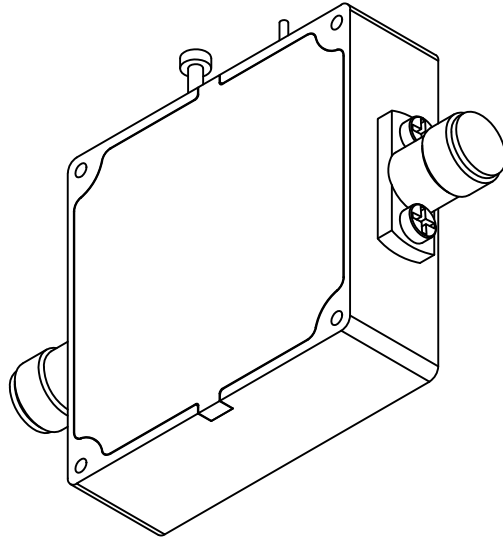


NOTES:UNLESS OTHERWISE SPECIFIED
THIS IS A CAD GENERATED DRAWING,DO NOT REVISE MANUALLY

REVISION HISTORY					
ZONE	REV	DESCRIPTION	E.C.O.NO	DATE	APPROVED
	1	ENGINEERING RELEASE			



LAL-0005

0.1 - 3.5GHz 低噪声放大器 Low Noise Amplifier

—电气技术参数Electrical Specifications—

频率范围 Frequency Range:	0.1 - 3.5GHz
增益Gain:	30dB (Typ.)
增益平坦度Gain Flatness:	±1.0
噪声系数 Noise Figure:	1.0dB (Typ.)
输出 P_{1dB} Output P_{1dB} :	18dBm (Typ.)
输入驻波比Input VSWR:	1.7:1
输出驻波比Output VSWR:	1.6:1
直流偏置电压DC Supply Voltage:	+5V
直流偏置电流DC Supply Current:	90mA (Typ.)
工作温度Operation Temperature:	-40~+85°C
存储温度Storage Temperature:	-65~+125°C

—机械技术参数Mechanical Specification—

输入连接器Input Interface:	SMA-F
输出连接器Output Interface:	SMA-F
尺寸Size(excluding connectors):	/
重量Weight:	/

UNLESS OTHERWISE SPECIFIED DIMENSIONS ARE MILLIMETER TOLERANCES ARE: DECIMALS ANGLES FRACTIONS .X±0.1 ±1° ±2/5 .XX±0.03 .XXX±0.012		莱尔微波 Lair Microwave www.lairmw.com sales@lairmw.com		P/N: LAL-0005	
		Approvals: _____ DATE: _____	0.1 - 3.5GHz 低噪声放大器 Low Noise Amplifier 增益 Gain 30dB, 噪声系数 NF 1.0dB		
HOLE DIAMETER .35 TO 3.20 3.21 TO 6.35 6.36 TO 12.70 12.71 TO 19.05 19.06 TO 25.40 25.41 TO 50.80	TOLERANCES +.05/-02 +.10/-03 +.15/-03 +.20/-03 +.25/-03 +.30/-03	DRWN: QY ENG: CYL CHK: WY	SIZE: A3 SCALE: 3:2	CAGE NO: UNIT: mm	DWG NO.: SHEET 1 OF 1
		REV: 1			