

NOTES:UNLESS OTHERWISE SPECIFIED  
THIS IS A CAD GENERATED DRAWING,DO NOT REVISE MANUALLY

REVISION HISTORY					
ZONE	REV	DESCRIPTION	E.C.O.NO	DATE	APPROVED
	1	ENGINEERING RELEASE			

## LAG-2017

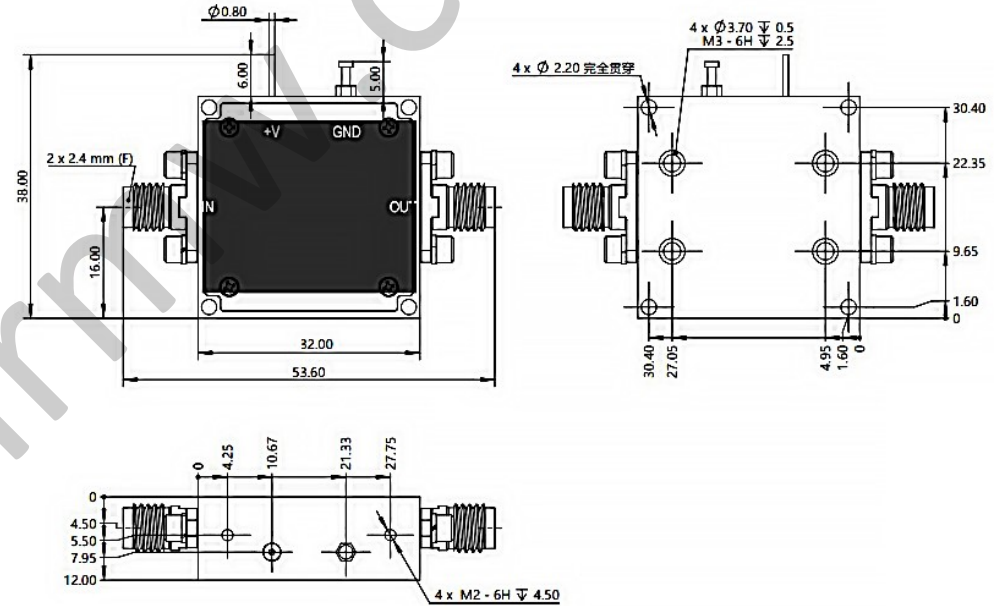
32 – 44 GHz 驱动放大器 Driver Amplifier

### —电气技术参数 Electrical Specifications—

频率范围 Frequency Range:	32 – 44 GHz
增益 Gain:	20dB
输出 P <sub>1dB</sub> Output P <sub>1dB</sub> :	23dBm
饱和输出功率 Psat:	24dBm
输入驻波比 Input VSWR:	1.6:1
输出驻波比 Output VSWR:	2.6:1
直流偏置电压 DC Power Supply:	+6 ~ +15V
直流偏置电流 DC Current Supply:	210mA
工作温度 Operation Temperature:	-40 ~ +60°C
存储温度 Storage Temperature:	-65 ~ +125 °C

### —机械技术参数 Mechanical Specifications—

输入连接器 Input Interface:	2.4mm-F
输出连接器 Output Interface:	2.4mm-F
尺寸 Size (excluding connectors):	32x32x12mm
重量 Weight:	27g



UNLESS OTHERWISE SPECIFIED DIMENSIONS ARE MILLIMETER TOLERANCES ARE: DECIMALS ANGLES FRACTIONS .XX±0.03 ±1' ±2/5 .XXX±0.012					P/N: LAG-2017																
			www.lairmw.com sales@lairmw.com		32 - 44GHz 驱动放大器 Driver Amplifier 增益 Gain 20dB																
<table border="1"> <tr> <td>HOLE DIAMETER</td> <td>TOLERANCES</td> </tr> <tr> <td>.35 TO 3.20</td> <td>+.05/- .02</td> </tr> <tr> <td>3.21 TO 6.35</td> <td>+.10/- .03</td> </tr> <tr> <td>6.36 TO 12.70</td> <td>+.15/- .03</td> </tr> <tr> <td>12.71 TO 19.05</td> <td>+.20/- .03</td> </tr> <tr> <td>19.06 TO 25.40</td> <td>+.25/- .03</td> </tr> <tr> <td>25.41 TO 50.80</td> <td>+.30/- .03</td> </tr> </table>	HOLE DIAMETER	TOLERANCES	.35 TO 3.20	+.05/- .02	3.21 TO 6.35	+.10/- .03	6.36 TO 12.70	+.15/- .03	12.71 TO 19.05	+.20/- .03	19.06 TO 25.40	+.25/- .03	25.41 TO 50.80	+.30/- .03	Approvals	DATE	DRWN	SIZE	CAGE NO	DWG NO.	REV
	HOLE DIAMETER	TOLERANCES																			
.35 TO 3.20	+.05/- .02																				
3.21 TO 6.35	+.10/- .03																				
6.36 TO 12.70	+.15/- .03																				
12.71 TO 19.05	+.20/- .03																				
19.06 TO 25.40	+.25/- .03																				
25.41 TO 50.80	+.30/- .03																				
ENG	CHK	Q.A.	A3	UNIT	mm	SHEET 1 OF 1	1														