

NOTES:UNLESS OTHERWISE SPECIFIED
THIS IS A CAD GENERATED DRAWING,DO NOT REVISE MANUALLY

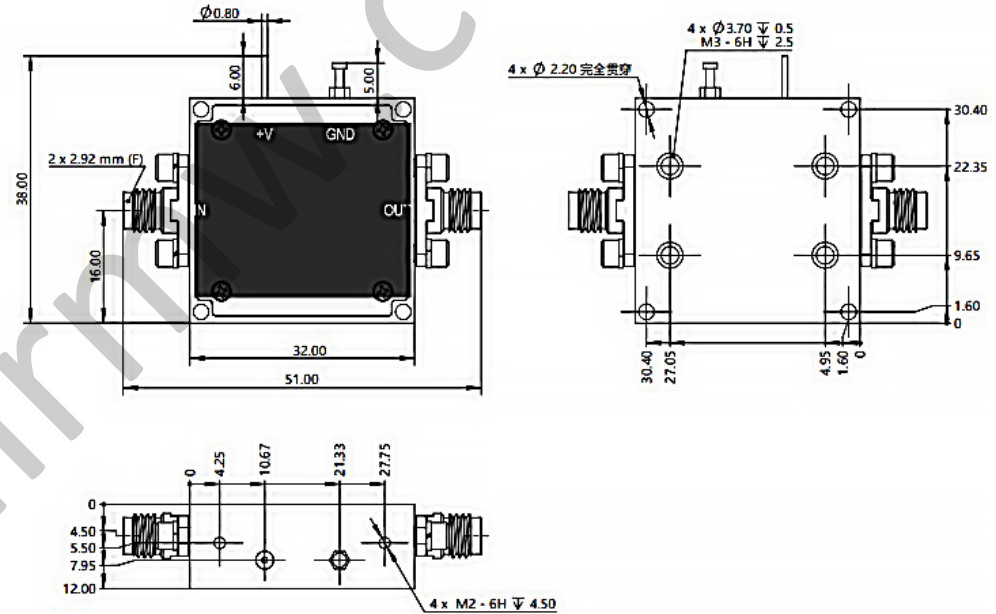
REVISION HISTORY					
ZONE	REV	DESCRIPTION	E.C.O.NO	DATE	APPROVED
	1	ENGINEERING RELEASE			

LAG-2016

27 – 32 GHz 驱动放大器 Driver Amplifier

—电气技术参数 Electrical Specifications—

频率范围 Frequency Range:	27 – 32 GHz
增益 Gain:	26dB
输出 P _{1dB} Output P _{1dB} :	23dBm
饱和输出功率 Psat:	24dBm
输入驻波比 Input VSWR:	1.5:1
输出驻波比 Output VSWR:	1.4:1
直流偏置电压 DC Power Supply:	+6 ~ +15V
直流偏置电流 DC Current Supply:	120mA
工作温度 Operation Temperature:	-40 ~ +60°C
存储温度 Storage Temperature:	-65 ~ +125 °C



—机械技术参数 Mechanical Specifications—

输入连接器 Input Interface:	2.92mm-F
输出连接器 Output Interface:	2.92mm-F
尺寸 Size (excluding connectors):	32x32x12mm
重量 Weight:	27g

UNLESS OTHERWISE SPECIFIED DIMENSIONS ARE MILLIMETER TOLERANCES ARE: DECIMALS ANGLES FRACTIONS .XX±0.03 ±1' ±2/5 .XXX±0.012			莱尔微波 Laird Microwave www.lairmw.com sales@lairmw.com		P/N: LAG-2016	
			Approvals	DATE	27 - 32GHz 驱动放大器 Driver Amplifier 增益 Gain 26dB	
HOLE DIAMETER .35 TO 3.20 3.21 TO 6.35 6.36 TO 12.70 12.71 TO 19.05 19.06 TO 25.40 25.41 TO 50.80	TOLERANCES +.05/-02 +.10/-03 +.15/-03 +.20/-03 +.25/-03 +.30/-03	DRWN	ENG	CHK	Q.A.	
			SIZE A3	CAGE NO	DWG NO.	REV 1
			SCALE 3:2	UNIT mm	SHEET 1 OF 1	