

NOTES:UNLESSOTHERWISE SPECIFIED  
THIS IS A CAD GENERATED DRAWING,DO NOT REVISE MANUALLY

| REVISION HISTORY |     |                     |          |      |          |
|------------------|-----|---------------------|----------|------|----------|
| ZONE             | REV | DESCRIPTION         | E.C.O.NO | DATE | APPROVED |
|                  | 1   | ENGINEERING RELEASE |          |      |          |

## LAG-2013

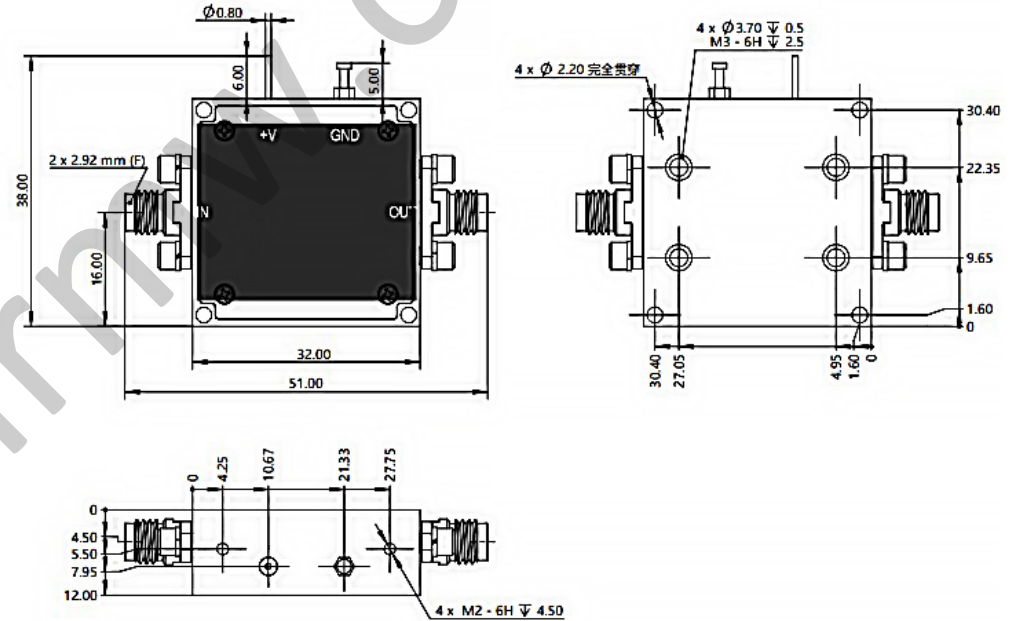
18 – 40 GHz 驱动放大器 Driver Amplifier

### —电气技术参数 Electrical Specifications—

|   |               |
|---|---------------|
| 频率范围 Frequency Range:                         | 18 – 40 GHz   |
| 增益 Gain:                                      | 30dB          |
| 输出 P <sub>1dB</sub> Output P <sub>1dB</sub> : | 21dBm         |
| 饱和输出功率 Psat:                                  | 22dBm         |
| 输入驻波比 Input VSWR:                             | 1.1:1         |
| 输出驻波比 Output VSWR:                            | 1.5:1         |
| 直流偏置电压 DC Power Supply:                       | +6 ~ +15V     |
| 直流偏置电流 DC Current Supply:                     | 240mA         |
| 工作温度 Operation Temperature:                   | -40 ~ +60°C   |
| 存储温度 Storage Temperature:                     | -65 ~ +125 °C |

### —机械技术参数 Mechanical Specifications—

|                                 |            |
|---------------------------------|------------|
| 输入连接器 Input Interface:          | 2.92mm-F   |
| 输出连接器 Output Interface:         | 2.92mm-F   |
| 尺寸 Size (excluding connectors): | 32x32x12mm |
| 重量 Weight:                      | 27g        |



|  |  |      |                                     |   |              |          |
|--|--|------|-------------------------------------|---|--------------|----------|
| UNLESS OTHERWISE SPECIFIED<br>DIMENSIONS ARE MILLIMETER<br>TOLERANCES ARE:<br>DECIMALS ANGLES FRACTIONS<br>.XX±0.03 ±1' ±2/5<br>.XXX±0.012 |  |      | <br>www.lairmw.com sales@lairmw.com | P/N: LAG-2013                                     |              |          |
|  | Approvals  | DATE |                                     | 18 - 40GHz 驱动放大器 Driver Amplifier<br>增益 Gain 30dB |              |          |
| HOLE DIAMETER<br>.35 TO 3.20<br>3.21 TO 6.35<br>6.36 TO 12.70<br>12.71 TO 19.05<br>19.06 TO 25.40<br>25.41 TO 50.80                        | TOLERANCES<br>+.05/- .02<br>+.10/- .03<br>+.15/- .03<br>+.20/- .03<br>+.25/- .03<br>+.30/- .03 | DRWN | SIZE<br>A3                          | CAGE NO   | DWG NO.      | REV<br>1 |
|  |  | ENG  | SCALE<br>3:2                        | UNIT<br>mm  | SHEET 1 OF 1 |          |
|  |  | CHK  |                                     |   |              |          |
|  |  | Q.A. |                                     |   |              |          |