

NOTES:UNLESS OTHERWISE SPECIFIED  
THIS IS A CAD GENERATED DRAWING,DO NOT REVISE MANUALLY

| REVISION HISTORY |     |                     |          |      |          |
|------------------|-----|---------------------|----------|------|----------|
| ZONE             | REV | DESCRIPTION         | E.C.O.NO | DATE | APPROVED |
|                  | 1   | ENGINEERING RELEASE |          |      |          |

## LAG-2008

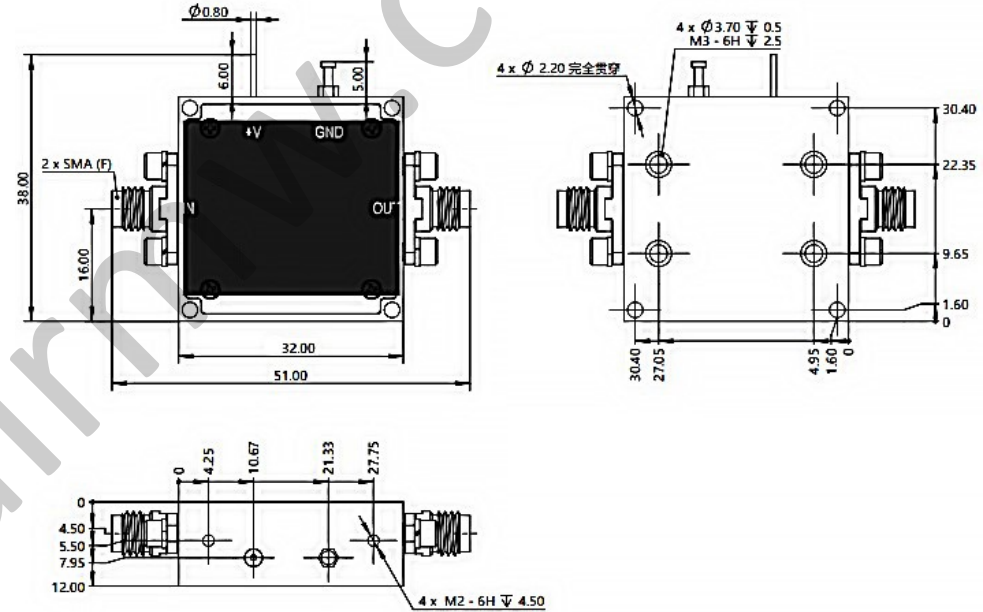
10 – 22 GHz 驱动放大器 Driver Amplifier

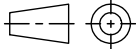


### —电气技术参数 Electrical Specifications—

|   |               |
|---|---------------|
| 频率范围 Frequency Range:                         | 10 – 22 GHz   |
| 增益 Gain:                                      | 17.5dB        |
| 输出 P <sub>1dB</sub> Output P <sub>1dB</sub> : | 15dBm         |
| 饱和输出功率 Psat:                                  | 16dBm         |
| 输入驻波比 Input VSWR:                             | 1.9:1         |
| 输出驻波比 Output VSWR:                            | 1.5:1         |
| 直流偏置电压 DC Power Supply:                       | +6 ~ +15V     |
| 直流偏置电流 DC Current Supply:                     | 50mA          |
| 工作温度 Operation Temperature:                   | -40 ~ +60°C   |
| 存储温度 Storage Temperature:                     | -65 ~ +125 °C |

### —机械技术参数 Mechanical Specifications—

|                                 |            |
|---------------------------------|------------|
| 输入连接器 Input Interface:          | SMA-F      |
| 输出连接器 Output Interface:         | SMA-F      |
| 尺寸 Size (excluding connectors): | 32x32x12mm |
| 重量 Weight:                      | 27g        |



|  |  |   |  |   |  |  |  |   |  |
|--|--|---|--|---|--|--|--|---|--|
| UNLESS OTHERWISE SPECIFIED<br>DIMENSIONS ARE MILLIMETER<br>TOLERANCES ARE:<br>DECIMALS ANGLES FRACTIONS<br>.XX±0.03 ±1' ±2/5<br>.XXX±0.012 |  |  |  |  |  | <br>www.lairmw.com sales@lairmw.com |  | P/N: LAG-2008   |  |
| HOLE DIAMETER<br>.35 TO 3.20<br>3.21 TO 6.35<br>6.36 TO 12.70<br>12.71 TO 19.05<br>19.06 TO 25.40<br>25.41 TO 50.80                        |  | TOLERANCES<br>+.05/-02<br>+.10/-03<br>+.15/-03<br>+.20/-03<br>+.25/-03<br>+.30/-03    |  | Approvals<br>DRWN<br>ENG<br>CHK<br>Q.A.   |  | DATE<br>10 - 22GHz 驱动放大器 Driver Amplifier<br>增益 Gain 17.5dB  |  | SIZE A3<br>SCALE 3:2<br>CAGE NO<br>UNIT mm<br>DWG NO.<br>SHEET 1 OF 1 |  |
|  |  |   |  |   |  | REV 1  |  |   |  |