

NOTES:UNLESS OTHERWISE SPECIFIED  
THIS IS A CAD GENERATED DRAWING,DO NOT REVISE MANUALLY

| REVISION HISTORY |     |                     |          |      |          |
|------------------|-----|---------------------|----------|------|----------|
| ZONE             | REV | DESCRIPTION         | E.C.O.NO | DATE | APPROVED |
|                  | 1   | ENGINEERING RELEASE |          |      |          |

## LAG-2007

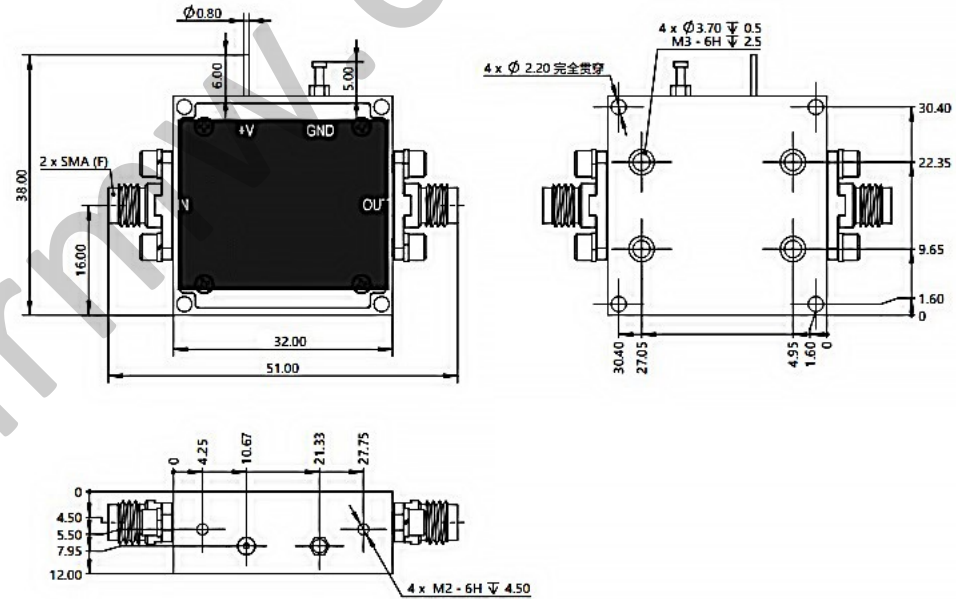
8 – 12 GHz 驱动放大器 Driver Amplifier

### —电气技术参数 Electrical Specifications—

|   |               |
|---|---------------|
| 频率范围 Frequency Range:                         | 8 – 12 GHz    |
| 增益 Gain:                                      | 24dB          |
| 输出 P <sub>1dB</sub> Output P <sub>1dB</sub> : | 21dBm         |
| 饱和输出功率 Psat:                                  | 22dBm         |
| 输入驻波比 Input VSWR:                             | 1.4:1         |
| 输出驻波比 Output VSWR:                            | 1.5:1         |
| 直流偏置电压 DC Power Supply:                       | +6 ~ +15V     |
| 直流偏置电流 DC Current Supply:                     | 105mA         |
| 工作温度 Operation Temperature:                   | -40 ~ +60°C   |
| 存储温度 Storage Temperature:                     | -65 ~ +125 °C |

### —机械技术参数 Mechanical Specifications—

|                                 |            |
|---------------------------------|------------|
| 输入连接器 Input Interface:          | SMA-F      |
| 输出连接器 Output Interface:         | SMA-F      |
| 尺寸 Size (excluding connectors): | 32x32x12mm |
| 重量 Weight:                      | 27g        |



|   |            |               |            |  |          |               |          |               |          |                |          |                |          |                |          |      |  |      |    |         |  |
|---|------------|---------------|------------|--|----------|---------------|----------|---------------|----------|----------------|----------|----------------|----------|----------------|----------|------|--|------|----|---------|--|
| UNLESS OTHERWISE SPECIFIED<br>DIMENSIONS ARE MILLIMETER<br>TOLERANCES ARE:<br>DECIMALS ANGLES FRACTIONS<br>.XX±0.03 ±1' ±2/5<br>.XXX±0.012  |            |               |            |  |          | P/N: LAG-2007 |          |               |          |                |          |                |          |                |          |      |  |      |    |         |  |
|   |            | Approvals     | DATE       | 8 - 12GHz 驱动放大器 Driver Amplifier<br>增益 Gain 24dB |          |               |          |               |          |                |          |                |          |                |          |      |  |      |    |         |  |
| <table border="1"> <tr> <td>HOLE DIAMETER</td> <td>TOLERANCES</td> </tr> <tr> <td>.35 TO 3.20</td> <td>+.05/-02</td> </tr> <tr> <td>3.21 TO 6.35</td> <td>+.10/-03</td> </tr> <tr> <td>6.36 TO 12.70</td> <td>+.15/-03</td> </tr> <tr> <td>12.71 TO 19.05</td> <td>+.20/-03</td> </tr> <tr> <td>19.06 TO 25.40</td> <td>+.25/-03</td> </tr> <tr> <td>25.41 TO 50.80</td> <td>+.30/-03</td> </tr> </table> |            | HOLE DIAMETER | TOLERANCES | .35 TO 3.20                                      | +.05/-02 | 3.21 TO 6.35  | +.10/-03 | 6.36 TO 12.70 | +.15/-03 | 12.71 TO 19.05 | +.20/-03 | 19.06 TO 25.40 | +.25/-03 | 25.41 TO 50.80 | +.30/-03 | DRWN |  | SIZE | A3 | CAGE NO |  |
| HOLE DIAMETER   | TOLERANCES |               |            |  |          |               |          |               |          |                |          |                |          |                |          |      |  |      |    |         |  |
| .35 TO 3.20   | +.05/-02   |               |            |  |          |               |          |               |          |                |          |                |          |                |          |      |  |      |    |         |  |
| 3.21 TO 6.35  | +.10/-03   |               |            |  |          |               |          |               |          |                |          |                |          |                |          |      |  |      |    |         |  |
| 6.36 TO 12.70   | +.15/-03   |               |            |  |          |               |          |               |          |                |          |                |          |                |          |      |  |      |    |         |  |
| 12.71 TO 19.05  | +.20/-03   |               |            |  |          |               |          |               |          |                |          |                |          |                |          |      |  |      |    |         |  |
| 19.06 TO 25.40  | +.25/-03   |               |            |  |          |               |          |               |          |                |          |                |          |                |          |      |  |      |    |         |  |
| 25.41 TO 50.80  | +.30/-03   |               |            |  |          |               |          |               |          |                |          |                |          |                |          |      |  |      |    |         |  |
|   |            | ENG           |            | SCALE  | 3:2      | UNIT          | mm       |               |          |                |          |                |          |                |          |      |  |      |    |         |  |
|   |            | CHK           |            | DWG NO.  |          | REV           |          |               |          |                |          |                |          |                |          |      |  |      |    |         |  |
|   |            | Q.A.          |            | SHEET 1 OF 1                                     |          | 1             |          |               |          |                |          |                |          |                |          |      |  |      |    |         |  |