

NOTES:UNLESS OTHERWISE SPECIFIED
THIS IS A CAD GENERATED DRAWING,DO NOT REVISE MANUALLY

REVISION HISTORY					
ZONE	REV	DESCRIPTION	E.C.O.NO	DATE	APPROVED
	1	ENGINEERING RELEASE			

LAG-2006

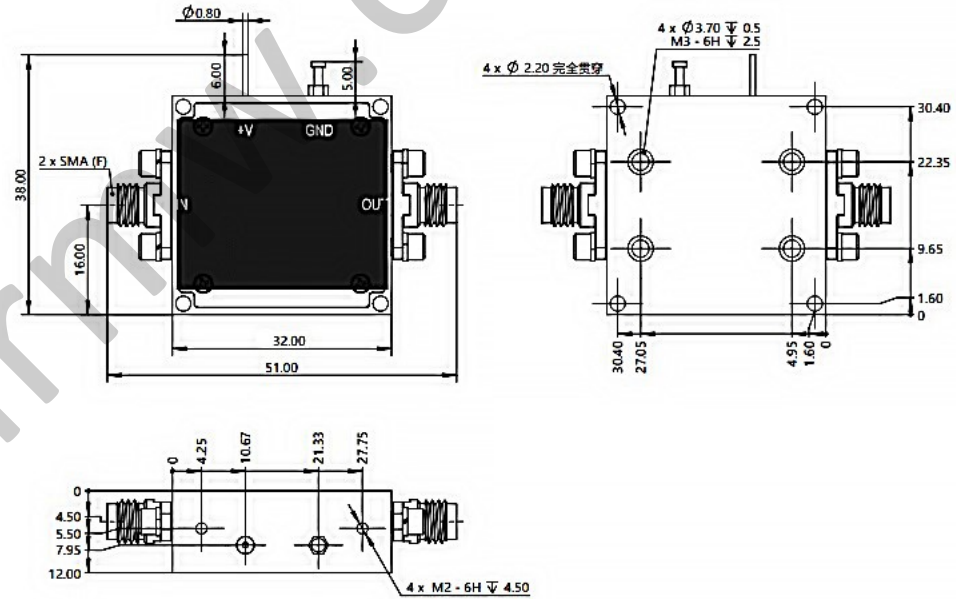
6 – 27 GHz 驱动放大器 Driver Amplifier

—电气技术参数 Electrical Specifications—

频率范围 Frequency Range:	6 – 27 GHz
增益 Gain:	23dB
输出 P _{1dB} Output P _{1dB} :	18dBm
饱和输出功率 Psat:	20dBm
输入驻波比 Input VSWR:	2.1:1
输出驻波比 Output VSWR:	3.5:1
直流偏置电压 DC Power Supply:	+5 ~ +15V
直流偏置电流 DC Current Supply:	125mA
工作温度 Operation Temperature:	-40 ~ +60°C
存储温度 Storage Temperature:	-65 ~ +125 °C

—机械技术参数 Mechanical Specifications—

输入连接器 Input Interface:	SMA-F
输出连接器 Output Interface:	SMA-F
尺寸 Size (excluding connectors):	32x32x12mm
重量 Weight:	27g



UNLESS OTHERWISE SPECIFIED DIMENSIONS ARE MILLIMETER TOLERANCES ARE: DECIMALS ANGLES FRACTIONS .XX±0.03 ±1' ±2/5 .XXX±0.012						P/N: LAG-2006	
		Approvals		DATE		6 - 27GHz 驱动放大器 Driver Amplifier 增益 Gain 23dB	
HOLE DIAMETER .35 TO 3.20 3.21 TO 6.35 6.36 TO 12.70 12.71 TO 19.05 19.06 TO 25.40 25.41 TO 50.80		TOLERANCES +.05/-02 +.10/-03 +.15/-03 +.20/-03 +.25/-03 +.30/-03		DRWN		SIZE A3	
		ENG		CAGE NO		DWG NO.	
		CHK		UNIT mm		REV 1	
		Q.A.		SCALE 3:2		SHEET 1 OF 1	