

NOTES:UNLESS OTHERWISE SPECIFIED
THIS IS A CAD GENERATED DRAWING,DO NOT REVISE MANUALLY

REVISION HISTORY					
ZONE	REV	DESCRIPTION	E.C.O.NO	DATE	APPROVED
	1	ENGINEERING RELEASE			

13-L1.7-13G-2508

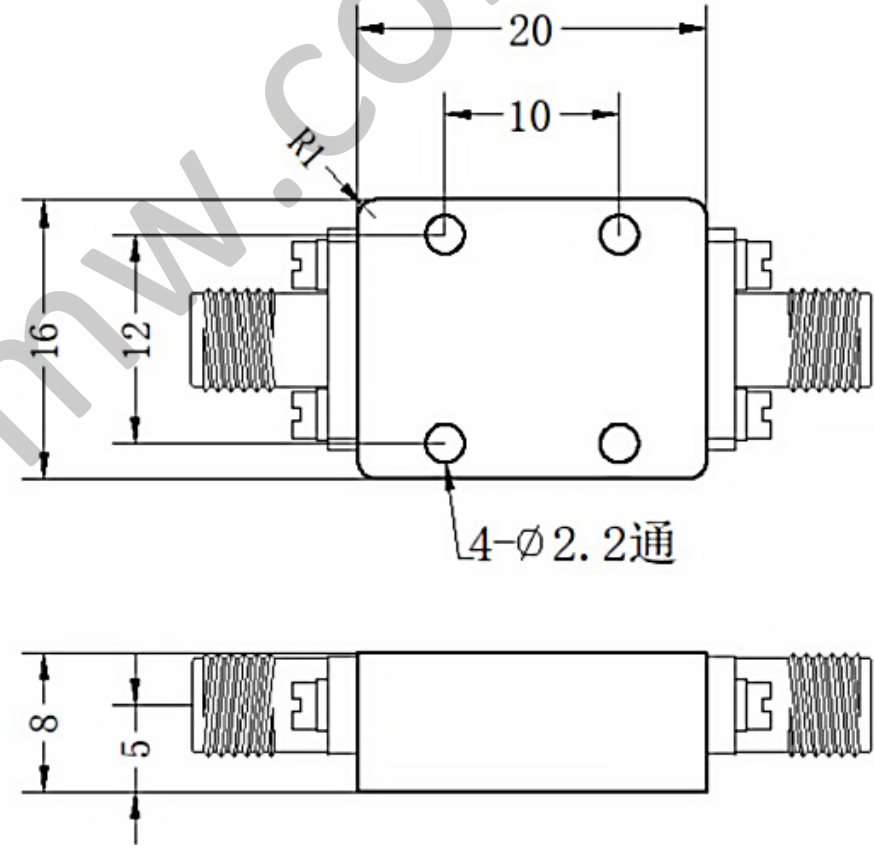
1.7 - 13 GHz 高通滤波器 High Pass Filter

—电气技术参数 Electrical Specifications—

通带频率 Pass Band Frequency:	1.7 – 13 GHz
通带损耗 Loss:	2.0dB
带内波动 In-band Fluctuation:	/
带外抑制 Rejection:	40dB@DC-1.4GHz(Min.)
通带驻波比 Pass Band VSWR:	1.8:1 (Max.)
功率容量 Power:	2W
工作温度 Operation Temperature:	-40 ~ +70°C
存储温度 Storage Temperature:	-50 ~ +85°C

—机械技术参数 Mechanical Specifications—

输入连接器 Input Interface:	SMA-K
输出连接器 Output Interface:	SMA-K



UNLESS OTHERWISE SPECIFIED DIMENSIONS ARE MILLIMETER TOLERANCES ARE: DECIMALS ANGLES FRACTIONS .XX±0.03 ±1' ±2/5 .XXX±0.012			莱尔微波 Laird Microwave www.lairmw.com sales@lairmw.com	P/N:13-L1.7-13G-2508		
	Approvals	DATE		1.7-13GHz 高通滤波器 High Pass Filter		
HOLE DIAMETER .35 TO 3.20 3.21 TO 6.35 6.36 TO 12.70 12.71 TO 19.05 19.06 TO 25.40 25.41 TO 50.80	TOLERANCES +.05/-02 +.10/-03 +.15/-03 +.20/-03 +.25/-03 +.30/-03	DRWN	SIZE	CAGE NO	DWG NO.	REV
		ENG	A3			1
		CHK	SCALE	UNIT	SHEET 1 OF 1	
		Q.A.	3:2	mm		