

NOTES:UNLESSOTHERWISE SPECIFIED
THIS IS A CAD GENERATED DRAWING,DO NOT REVISE MANUALLY

REVISION HISTORY					
ZONE	REV	DESCRIPTION	E.C.O.NO	DATE	APPROVED
	1	ENGINEERING RELEASE			

13-L0-1500-2506

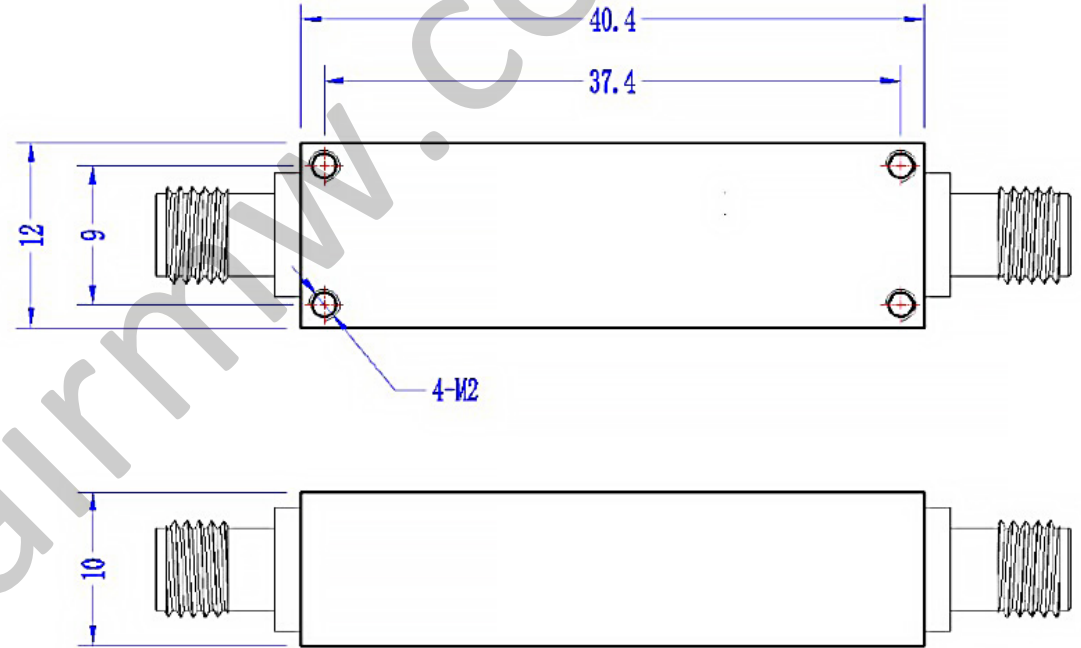
DC - 1500 MHz 低通滤波器 Low Pass Filter

—电气技术参数 Electrical Specifications—

通带频率 Pass Band Frequency:	DC – 1500 MHz
中心损耗 Loss:	1.5dB
带内波动 In-band Fluctuation:	1.5dB
带外抑制 Rejection:	60dB@1.8-4GHz 40dB@4-6GHz (Min.)
通带驻波比 Pass Band VSWR:	1.4:1 (Max.)
功率容量 Power:	2W
工作温度 Operation Temperature:	-40 ~ +70°C
存储温度 Storage Temperature:	-50 ~ +85°C

—机械技术参数 Mechanical Specifications—

输入连接器 Input Interface:	SMA-K
输出连接器 Output Interface:	SMA-K



UNLESS OTHERWISE SPECIFIED DIMENSIONS ARE MILLIMETER TOLERANCES ARE: DECIMALS ANGLES FRACTIONS .XX±0.03 ±1' ±2/5 .XXX±0.012			莱尔微波 Laird Microwave www.lairmw.com sales@lairmw.com	P/N: 13-L0-1500-2506	
	Approvals	DATE		DC-1500MHz 低通滤波器 Low Pass Filter	
HOLE DIAMETER .35 TO 3.20 3.21 TO 6.35 6.36 TO 12.70 12.71 TO 19.05 19.06 TO 25.40 25.41 TO 50.80	TOLERANCES +.05/- .02 +.10/- .03 +.15/- .03 +.20/- .03 +.25/- .03 +.30/- .03	DRWN	ENG	CHK	Q.A.
		SIZE	A3	CAGE NO	DWG NO.
		SCALE	3:2	UNIT	mm
				REV	1
		SHEET 1 OF 1			